

East Lake Sammamish Master Plan Trail, Inglewood Hill Road Parking Lot Intersection of NE Inglewood Hill Rd and East Lake Sammamish Parkway NE

King County, Washington

Contract No. XXXX

EXISTING ZONE CLASSIFICATION:

COMMUNITY FACILITIES CF-F

EXISTING SHORELINE ENVIRONMENT DESIGNATION:

CITY OF SAMMAMISH DESIGNATION: SHORELINE RESIDENTIAL

GENERAL PURPOSE OF THIS PROJECT:

TO CONSTRUCT PARKING AND RESTROOM AMENITIES FOR THE EAST LAKE SAMMAMISH TRAIL.

CONTACT INFORMATION:

APPLICANT:
KING COUNTY PARKS AND RECREATION DIVISION
201 S. JACKSON, 7TH FLR
SEATTLE, WA 98104
(206) 477-4552
CONTACT: GINA AULD

ENGINEER:
PARAMETRIX
719 2ND AVENUE
SUITE 200
SEATTLE, WA 98104
(206) 394-3700
CONTACT: PHOEBE JOHANNESSEN, P.E.

OWNER:
KING COUNTY PARKS AND RECREATION DIVISION

UTILITY:
ONE-CALL 1 (800) 424-5555

SAMMAMISH PLATEAU WATER AND SEWER DISTRICT
(425) 392-6256 EXT. 223
CONTACT: KEVIN DEROUEN

COMCAST CABLE
(425) 867-7433
CONTACT: DAVID BURROWS

FRONTIER COMMUNICATIONS NW INC.
HOTLINE 1 (800) 921-8101

PUGET SOUND ENERGY
(POWER AND GAS)
(425) 462-3727
CONTACT: REBECCA NICHOLAS

SURVEYOR:
PARAMETRIX
719 2ND AVENUE
SUITE 200
SEATTLE, WA 98104
(206) 394-3700
CONTACT: DANIEL THIBODEAU, PLS

PROJECT & SITE INFORMATION:

KING COUNTY PROPOSES TO CONSTRUCT A PARKING LOT AND ACCESS TO SERVE THE EAST LAKE SAMMAMISH TRAIL AND TO DEVELOP 525 FEET OF THE MULTI-USE TRAIL IN THE CITY OF SAMMAMISH, LOCATED NORTH OF INGLEWOOD HILL ROAD. A GRAVEL PARKING LOT AND INTERIM TRAIL ARE CURRENTLY IN OPERATION.

DISTURBED AREA = 57,756 SF (1.33 AC)
EXISTING IMPERVIOUS AREA = 16,236 SF (0.37 AC)
PROPOSED NEW IMPERVIOUS AREA = 41,440 SF (0.95 AC)
VOLUME OF ESTIMATED FILL = 22,780 CY
VOLUME OF ESTIMATED EXCAVATION = 200 CY

PROPERTY INFORMATION:

PARCEL NUMBERS:
357530-0260-08 (29,285 SQ. FT.)
357530-0340-02 (9,671 SQ. FT.)
357530-0365-02 (1,920 SQ. FT.)
357530-0370-05 (1,669 SQ. FT.)
357530-0460-06 (2,304 SQ. FT.)
292506-9007 (484,668 SQ. FT.)

WRITTEN DESCRIPTION OF THE PROJECT:

A 30-SPACE PARKING LOT WILL BE CONSTRUCTED TO SERVE THE EAST LAKE SAMMAMISH TRAIL. IN ADDITION 525 FEET OF THE EXISTING GRAVEL TRAIL WILL BE WIDENED TO 12 FEET PAVED SURFACE WITH 2-FOOT GRAVEL SHOULDERS ON BOTH SIDES.

THE PROPOSED IMPROVEMENTS INCLUDE RETAINING WALLS, RESTROOM FACILITIES, PAVING, DRAINAGE IMPROVEMENTS, FENCE, AND SIGNAGE.

PARCEL No. 292506-9007 (CONTINUED)

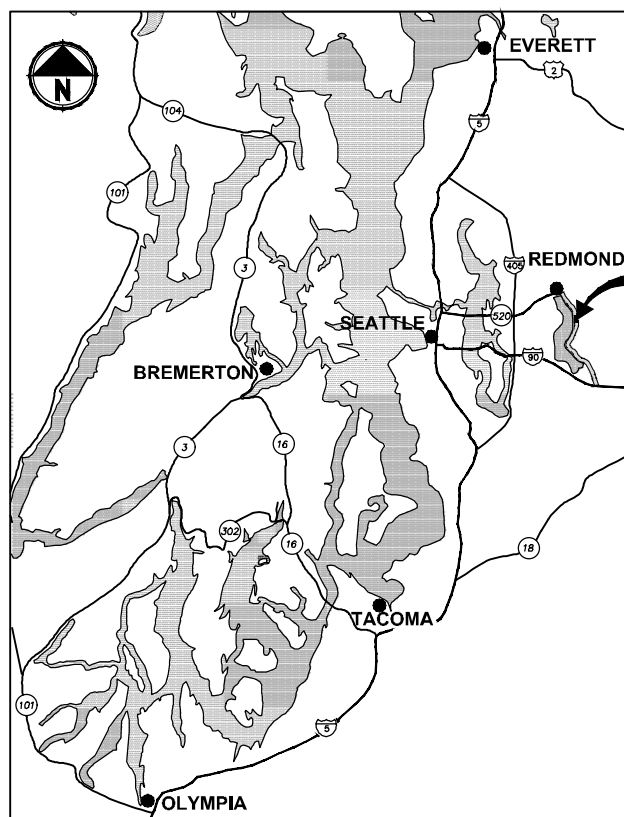
MEASURED RADIALLY FROM SAID MAIN TRACK CENTERLINE LESS PORTIONS OF SAID LOTS 28 & 29 DEEDED TO J & E HAYDEN UNDER REC NO 9212311137 LESS PORTIONS LOTS 24 & 25 LYING EASTERLY OF LINE DRAWN CONCENTRIC WITH & 25 FEET EASTERLY AS MEASURED RADIALLY FROM SAID MAIN TRACK CENTERLINE; & PORTIONS LOTS 0 THRU 7 & LOTS 11 THRU 16 BLOCK 1 OF SAID PLAT LYING EASTERLY OF A LINE DRAWN PARALLEL & CONCENTRIC WITH & 50 FEET WESTERLY AS MEASURED AT A RIGHT ANGLE & RADIALLY FROM SAID MAIN TRACK CENTERLINE; & PORTION IF ANY SAID RAILWAY CO'S BRANCH LINE RIGHT OF WAY LYING WESTERLY OF LOTS 1 THRU 6B, BLOCK 9, LOTS 19 THRU 24 BLOCK 6, LOTS 1 THRU 41 BLOCK 14; & LYING EASTERLY OF LOTS 1 THRU 22, BLOCK 4, LOTS 1 THRU 22, BLOCK 5, LOTS 1 THRU 22, BLOCK 3, LOTS 1 THRU 22, BLOCK 2 & LOTS 0 THRU 20, BLOCK 1 OF SAID PLAT.

SSDP XXXX-XXXX
SHOR-XX-XXXX
GRDEXX-XXXX

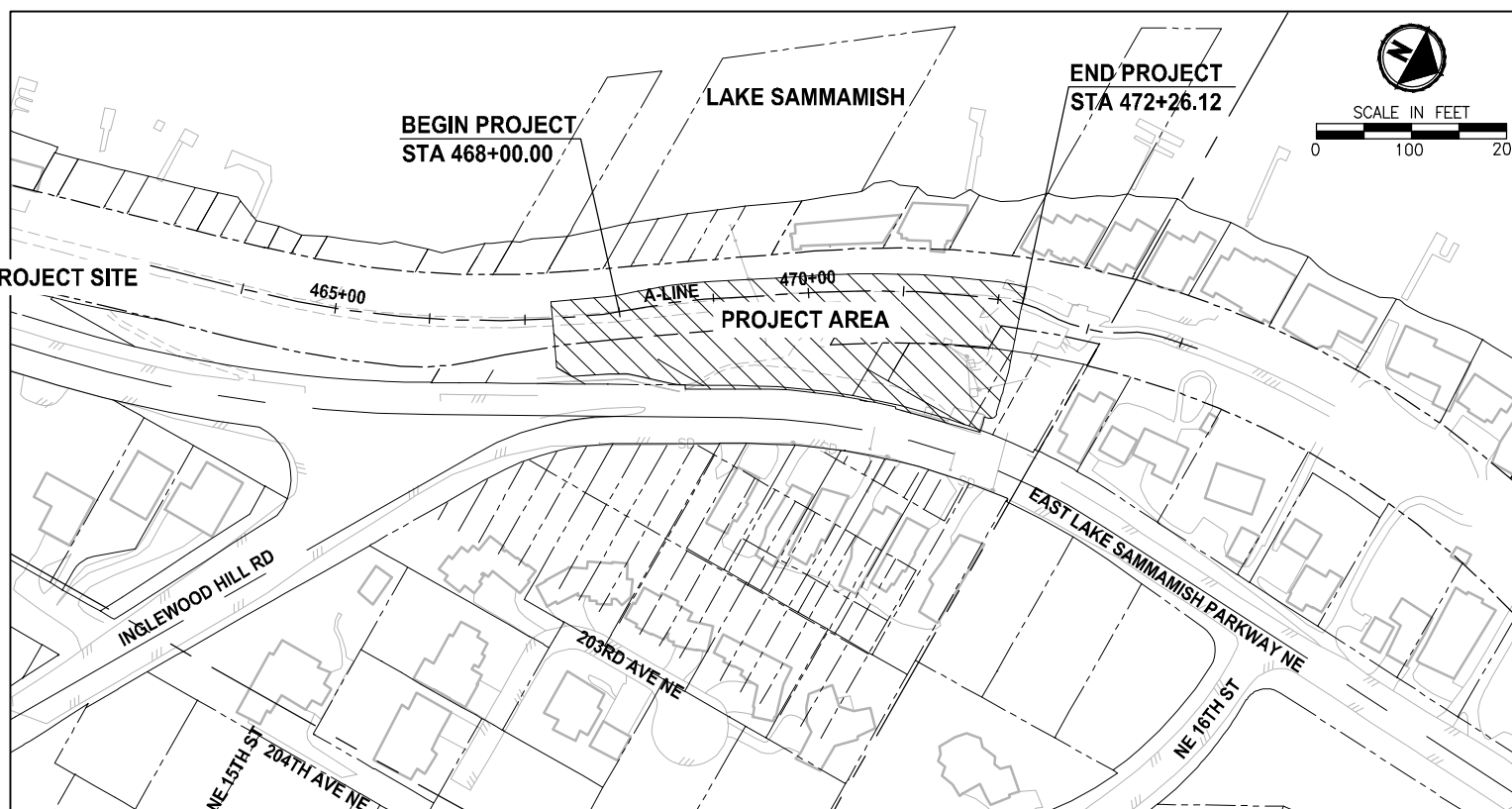
CITY OF SAMMAMISH APPROVAL	
City Engineer	Date
Community Development	Date

Exhibit 7
SSDP2016-00414
000030

60% REVISED REVIEW SUBMITTAL
NOT FOR CONSTRUCTION



LOCATION MAP
NOT TO SCALE



VICINITY MAP

LEGAL DESCRIPTIONS:

PARCEL No. 357530-0260-08
PER STEWART TITLE GUARANTY COMPANY,
GUARANTEE No. G-6329-000007871, JANUARY 8, 2016

THOSE PORTIONS OF LOTS 1 THROUGH 10, 18 THROUGH 21 AND 23 THROUGH 27, BLOCK 6, INGLEWOOD, ACCORDING TO THE PLAT THEREOF RECORDED IN VOLUME 3 OF PLATS, PAGE 169, RECORDS OF KING COUNTY, WASHINGTON, LYING WESTERLY OF THE WESTERLY MARGIN OF EAST LAKE SAMMAMISH PARKWAY N. E. (ISSAQUAH-REDMOND ROAD REVISION NO. 2); EXCEPT THAT PORTION LYING WESTERLY OF THE EASTERLY MARGIN OF THE NORTHERN PACIFIC RAILROAD RIGHT OF WAY AS CONVEYED BY DEED RECORDED UNDER RECORDING NUMBER 3051111; AND EXCEPT THOSE PORTIONS CONVEYED TO KING COUNTY FOR ROAD PURPOSES BY DEEDS RECORDED UNDER RECORDING NUMBERS 625790, 983353, 983354 AND 983355; AND EXCEPT THAT PORTION CONDEEMED FOR ROAD PURPOSES IN KING COUNTY SUPERIOR COURT CAUSE NO. 106364; AND EXCEPT THOSE PORTIONS RESERVED FOR ROAD BY KING COUNTY IN DEEDS RECORDED UNDER RECORDING NUMBERS 860989 AND 2957937; AND TOGETHER WITH THOSE PORTIONS OF VACATED DEPOT STREET ADJOINING, VACATED BY KING COUNTY SUPERIOR COURT CAUSE NUMBER 94-2-14451-1, AS WOULD ATTACH BY OPERATION OF LAW.

LEGAL DESCRIPTION CONTINUED:

PARCEL No. 357530-0340-02
PER STEWART TITLE GUARANTY COMPANY,
GUARANTEE No. G-6329-000007868, JANUARY 8, 2016

THAT PORTION OF LOT 17, BLOCK 6, INGLEWOOD, ACCORDING TO THE PLAT THEREOF RECORDED IN VOLUME 3 OF PLATS, PAGE 169, RECORDS OF KING COUNTY, WASHINGTON, LYING WESTERLY OF THE WESTERLY MARGIN OF EAST LAKE SAMMAMISH PARKWAY N. E. (ISSAQUAH-REDMOND ROAD REVISION NO. 2); EXCEPT THAT PORTION RESERVED FOR ROAD BY KING COUNTY IN DEED RECORDED UNDER RECORDING NUMBER 2957937; AND TOGETHER WITH THOSE PORTIONS OF VACATED ASH STREET (N. E. 16TH STREET) AND VACATED DEPOT STREET ADJOINING, VACATED BY KING COUNTY SUPERIOR COURT CAUSE NUMBER 94-2-14451-1, AS WOULD ATTACH BY OPERATION OF LAW.

PARCEL No. 357530-0365-02
PER STEWART TITLE GUARANTY COMPANY,
GUARANTEE No. G-6329-000007869, JANUARY 8, 2016

THAT PORTION OF LOT 22, BLOCK 6, INGLEWOOD, ACCORDING TO THE PLAT THEREOF RECORDED IN VOLUME 3 OF PLATS, PAGE 169, RECORDS OF KING COUNTY, WASHINGTON, LYING EASTERLY OF THE EASTERLY MARGIN OF THE NORTHERN PACIFIC RAILROAD COMPANY RIGHT OF WAY, AS CONVEYED BY DEED RECORDED UNDER RECORDING NUMBER 3051111.

LEGAL DESCRIPTION CONTINUED:

PARCEL No. 357530-0370-05
PER STEWART TITLE GUARANTY COMPANY,
GUARANTEE No. G-6329-000007867, JANUARY 8, 2016

THAT PORTION OF LOTS 11 THROUGH 16, BLOCK 6, INGLEWOOD, ACCORDING TO THE PLAT THEREOF RECORDED IN VOLUME 3 OF PLATS, PAGE 169, RECORDS OF KING COUNTY, WASHINGTON, LYING WESTERLY OF THE WESTERLY MARGIN OF EAST LAKE SAMMAMISH PARKWAY N. E. (ISSAQUAH-REDMOND ROAD REVISION NO. 2); EXCEPT THOSE PORTIONS CONVEYED TO KING COUNTY FOR ROAD PURPOSES BY DEEDS RECORDED UNDER RECORDING NUMBERS 983354 AND 983356; AND EXCEPT THAT PORTION RESERVED FOR ROAD BY KING COUNTY IN DEED RECORDED UNDER RECORDING NUMBER 769006; AND TOGETHER WITH THAT PORTION, IF ANY, OF VACATED ASH STREET (N. E. 16TH STREET) ADJOINING, VACATED BY KING COUNTY SUPERIOR COURT CAUSE NUMBER 94-2-14451-1, AS WOULD ATTACH BY OPERATION OF LAW.

LEGAL DESCRIPTION CONTINUED:

PARCEL No. 357530-0460-06
PER STEWART TITLE GUARANTY COMPANY,
GUARANTEE No. G-6329-000007870, JANUARY 8, 2016

PARCEL 1:
THAT PORTION OF LOTS 36 THROUGH 40, BLOCK 7, INGLEWOOD, ACCORDING TO THE PLAT THEREOF RECORDED IN VOLUME 3 OF PLATS, PAGE 169, RECORDS OF KING COUNTY, WASHINGTON, LYING WESTERLY OF THE WESTERLY MARGIN OF EAST LAKE SAMMAMISH PARKWAY N. E. (ISSAQUAH-REDMOND ROAD REVISION NO. 2); EXCEPT THAT PORTION LYING WESTERLY OF THE EASTERLY MARGIN OF THE NORTHERN PACIFIC RAILROAD COMPANY RIGHT OF WAY, AS CONVEYED BY DEED RECORDED UNDER RECORDING NUMBER 3051111.

PARCEL 2:
ALL THAT PORTION OF VACATED ILLINOIS AVENUE (202ND AVENUE N. E.), AS SHOWN ON AND DEDICATED TO THE PUBLIC IN THE PLAT OF INGLEWOOD, ACCORDING TO THE PLAT THEREOF RECORDED IN VOLUME 3 OF PLATS, PAGE 169, RECORDS OF KING COUNTY, WASHINGTON, LYING SOUTHWESTERLY OF A LINE LOCATED 30 FEET (MEASURED PERPENDICULAR TO) SOUTHWESTERLY OF AND PARALLEL TO THE CENTERLINE OF EAST LAKE SAMMAMISH PARKWAY N. E., AS VACATED BY KING COUNTY SUPERIOR COURT CAUSE NUMBER 91-2-20802-6.

LEGAL DESCRIPTION CONTINUED:

PARCEL No. 292506-9007

THAT PORTION OF THE BURLINGTON NORTHERN AND SANTA FE RAILWAY COMPANY'S (FORMERLY NORTHERNPACIFIC RAILWAY COMPANY) SNOQUALMIE BRANCH LINE RIGHT-OF-WAY 100 FEET IN WIDTH OVER AND ACROSS GOVERNMENT LOTS 1 & 2 LESS PORTION OF SAID GOVERNMENT LOT 2 AS DEEDED TO D.P. & E.M. STAHL UNDER REC NO 8409280762; TOGETHER WITH LOTS 1 THRU 6B, BLOCK 9, PLAT OF TOWN OF INGLEWOOD LYING WESTERLY OF LINE DRAWN PARALLEL WITH & 50 FEET EASTERLY AS MEASURED AT A RIGHT ANGLE FROM MAIN TRACK CENTERLINE OF SAID BRANCH LINE RIGHT OF WAY & PORTION OF LOTS 19 THRU 24 IN BLOCK 6 OF SAID PLAT LYING WESTERLY OF LINE DRAWN CONCENTRIC WITH & 50 FEET EASTERLY AS MEASURED RADIALLY FROM SAID MAIN TRACK CENTERLINE & PORTIONS OF LOTS 1 THRU 22, BLOCK 4, LOTS 1 THRU 22, BLOCK 5 & LOTS 11 THRU 22, BLOCK 3 OF SAID PLAT LYING EASTERLY OF A LINE DRAWN PARALLEL & CONCENTRIC WITH & 50 FEET WESTERLY AS MEASURED AT A RIGHT ANGLE & RADIALLY FROM SAID MAIN TRACK CENTERLINE; & PORTIONS OF LOTS 1, 2 & 8, BLOCK 3 OF SAID PLAT LYING EASTERLY OF A LINE DRAWN PARALLEL & CONCENTRIC WITH & 50 FEET WESTERLY AS MEASURED AT A RIGHT ANGLE & RADIALLY FROM SAID MAIN TRACK CENTERLINE; & PORTIONS OF LOTS 9, 10, 12, 13 & 16 THRU 22, BLOCK 2, OF SAID PLAT LYING EASTERLY OF A LINE DRAWN CONCENTRIC & PARALLEL WITH & 50 FEET WESTERLY AS MEASURED AT A RIGHT ANGLE & RADIALLY FROM SAID MAIN TRACK CENTERLINE; & LOTS 1 THRU 41, BLOCK 14 OF SAID PLAT LESS PORTIONS OF SAID LOTS 26 THRU 41 LYING EASTERLY OF LINE DRAWN PARALLEL & CONCENTRIC WITH & 50 FEET EASTERLY AS MEASURED AT A RIGHT ANGLE & RADIALLY FROM SAID MAIN TRACK CENTERLINE LESS PORTIONS OF SAID LOTS 19 THRU 11, LYING WESTERLY OF LINE DRAWN CONCENTRIC WITH & 25 FEET WESTERLY AS MEASURED RADIALLY FROM SAID MAIN TRACK CENTERLINE LESS PORTIONS SAID OF LOTS 18 THRU 27 LYING WESTERLY OF LINE DRAWN CONCENTRIC WITH & 25 FEET WESTERLY AS

REVISIONS	DATE	BY	DESIGNED
			J. JUN
			B. PURGANN
			P. JOHANNESSEN
			Y. HO

ONE INCH AT FULL SCALE, IF NOT, SCALE ACCORDINGLY
FILE NAME: BL1521075P21T03G-01
JOB No. 554-1521-075 P21T03
DATE: OCTOBER 2016



Parametrix
ENGINEERING · PLANNING · ENVIRONMENTAL SCIENCES
719 2ND AVENUE, SUITE 200 | SEATTLE, WA 98104
P 206.394.3700
WWW.PARAMETRIX.COM

PROJECT NAME
EAST LAKE SAMMAMISH MASTER PLAN TRAIL
INGLEWOOD HILL ROAD PARKING LOT
SAMMAMISH, WA

COVER AND VICINITY MAP

SHEET NO.
1 OF 29
G1

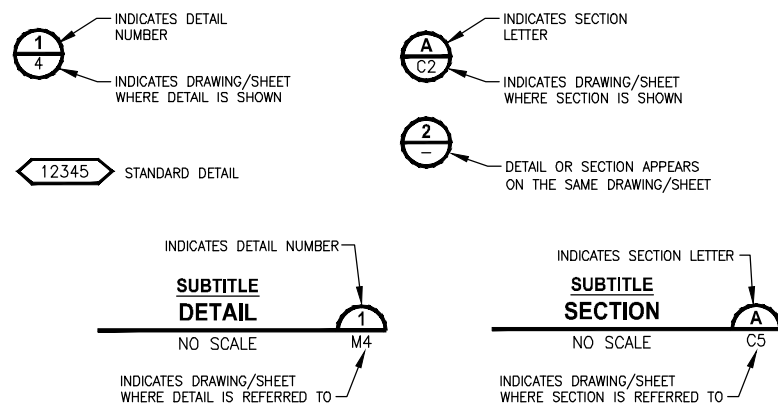
PLOTTED BY: purgann, DATE: Monday, July 10, 2017, 11:01:56 AM
PATH: U:\P50\Projects\Clients\1521-1521-075-ELST\983353\CAD\Phase 2\T03.Dwg
LAYOUT: G1

ABBREVIATIONS:

ACP	ASPHALT CONCRETE PAVEMENT	N	NORTH, NORTHING
BOC	BACK OF CURB	N.I.C.	NOT IN CONTRACT
BOW	BOTTOM OF WALL	NST	NOT STEEPER THAN
BVCE	BEGIN VERTICAL CURVE ELEVATION	PC	POINT OF CURVE
BVCS	BEGIN VERTICAL CURVE STATION	PT	POINT OF TANGENT
CB	CATCH BASIN	P/L	PROPERTY LINE
C&G	CURB AND GUTTER	PUD	PUBLIC UTILITY DISTRICT
C/L	CENTERLINE	PVI	POINT OF VERTICAL INTERSECTION
CONC	CONCRETE	REINF	REINFORCED
CONST	CONSTRUCTION	ROW or R/W	RIGHT-OF-WAY
CMP	CORRUGATED METAL PIPE	RR	RAIL ROAD
CP	CONCRETE PIPE	SD	STORM DRAIN
CSTC	CRUSHED SURFACING TOP COURSE	SDMH	STORMWATER MANHOLE
DIA	DIAMETER	SIM	SIMILAR
DI, DIP	DUCTILE IRON PIPE	SS	SANITARY SEWER
E	EAST, EASTING	ST	STEEL
EOA	EDGE OF ASPHALT	STA	STATION
EVCE	END VERTICAL CURB ELEVATION	TEL	TELEPHONE
EVCS	END VERTICAL CURB STATION	TESC	TEMPORARY EROSION AND SEDIMENT CONTROL
EOG	EDGE OF GRAVEL	TOW	TOP OF WALL
EOP	EDGE OF PAVEMENT	TYP	TYPICAL
EX, EXIST	EXISTING	W	WATER
FOC	FACE OF CURB	WS	WATER SERVICE
FL	FLANGE, FLOWLINE	WSDOT	WASHINGTON STATE DEPARTMENT OF TRANSPORTATION
G	GAS	WWM	WELDED WIRE MESH
GB	GRADE BREAK		
HMA	HOT MIX ASPHALT		
IE	INVERT ELEVATION		
LF	LINEAR FEET		
LP	LOW POINT		
LT	LEFT		
ME	MATCH EXISTING		
MIN	MINIMUM		
MON	MONUMENT		

INDEX TO DRAWINGS		
DWG NO.	SHT NO.	SHEET TITLE
1	G1	COVER SHEET
2	G2	ABBREVIATIONS AND SHEET LIST
3	G3	LEGEND
4	G4	SURVEY CONTROL PLAN
5	SP1	SITE PREPARATION AND TESC PLAN
6	SP2	SITE PREPARATION AND TESC PLAN
7	TD1	TESC DETAILS
8	CS1	TYPICAL CROSS SECTIONS
9	CS2	TYPICAL CROSS SECTIONS
10	AL1	PARKING LOT PLAN
11	AL2	PARKING LOT PLAN
12	AL3	PARKING LOT PROFILE
13	AL4	PARKING LOT PROFILE
14	SD1	STORM DRAIN PROFILES AND SECTIONS
15	WP1	WALL PROFILES
16	WP2	WALL PROFILES
17	WP3	WALL PROFILES
18	WD1	STRUCTURAL EARTH WALL DETAILS
19	WD2	STRUCTURAL EARTH WALL DETAILS
20	RD1	RESTROOM FACILITY DETAIL (NOT INCLUDED IN THIS SUBMITTAL)
21	UP1	UTILITY AND ELECTRICAL PLAN
22	UD1	UTILITY AND ELECTRICAL DETAILS
23	IL1	ILLUMINATION PLAN
24	IL2	ILLUMINATION DETAILS
25	PS1	PAVEMENT MARKING AND SIGNING PLAN
26	PS2	PAVEMENT MARKING AND SIGNING PLAN
27	LD1	PLANTING SCHEDULE AND DETAILS
28	GN1	STANDARD PLAN NOTES
29	MD1	MISCELLANEOUS DETAILS

DETAIL AND SECTION DESIGNATION



LAYOUT: G2 PATH: U:\PSC\Projects\Clients\1521-1521-075-ELST\995\cs\CADD\Phase 2\103\Drawg\ PLOTTED BY: purgebut DATE: Monday, July 10, 2017 11:02:20 AM



REVISIONS	DATE	BY	DESIGNED
			J. JUN
			B. PURGANAN
			P. JOHANNESSEN
			Y. HO

ONE INCH AT FULL SCALE, IF NOT, SCALE ACCORDINGLY
 FILE NAME: BL1521075P21T03G-02
 JOB No.: 1521-075 P21T03
 DATE: OCTOBER 2016

Parametrix
 ENGINEERING · PLANNING · ENVIRONMENTAL SCIENCES
 719 2ND AVENUE, SUITE 200 | SEATTLE, WA 98104
 P 206.394.3700
 WWW.PARAMETRIX.COM

PROJECT NAME
EAST LAKE SAMMAMISH MASTER PLAN TRAIL INGLEWOOD HILL ROAD PARKING LOT
 SAMMAMISH, WA

ABBREVIATIONS AND SHEET LIST

SHEET NO.
 2 OF 29
G2

Exhibit 7
SSDP2016-00414
000031
60% REVISED REVIEW SUBMITTAL
NOT FOR CONSTRUCTION

CITY OF SAMMAMISH APPROVAL	
City Engineer _____	Date _____
Community Development _____	Date _____

SEC'S 8, 17 TWP. 24 N., RGE. 06 E, W.M.

LEGEND

DESCRIPTION	PROPOSED	EXISTING
RIGHT OF WAY	---	--- R/W ---
PROPERTY LINE	---	--- P/L ---
FOUND MONUMENTS		⊕ ⊗
REBAR & CAP		⊙
HUB & TACK		□
PK NAIL		×
FOUND MAG NAIL		+
SET MAG NAIL		+
PROPERTY CORNER		●
STREAM BUFFER	---	---
STREAM	→→→	→→→
EDGE OF WATER	---	---
WETLAND FLAG		▲
WETLAND BUFFER	---	---
ORDINARY HIGH WATER MARK	---	---
FLOODWAY BOUNDARY	---	---
DITCH	→→→	→→→
JURISDICTIONAL DITCH CENTERLINE & EDGES	→→→	→→→
UNDERDRAIN PIPE	—UD→	—UD→
TEMPORARY DRAIN PIPE	—D—	—D—
STORM DRAIN	—SD—	—SD—
CULVERT/STORM DRAIN PIPE	▬	▬
QUARRY SPALL	⊗	
INFILTRATION TRENCH	▬	
CATCH BASIN, TYPE 1	■	■
CATCH BASIN, TYPE 2	⊙	⊙
INLET PROTECTION	⊗	
SANITARY SEWER LINE	—SS—	—SS—
SANITARY SEWER MANHOLE	⊙	⊙
SANITARY SEWER VAULT	⊙	⊙
CLEANOUT	●	●
CONTOURS MAJOR	—10—	—10—
CONTOURS MINOR	—2—	—2—
HIGH VISIBILITY SILT FENCE	—X—	
HIGH VISIBILITY FENCE	—X—	
INTERCEPTOR SWALE	—IS—	
CLEARING AND GRUBBING LIMITS	—CLR—	
CLEARING LIMITS	—CLR—	
FILL LINE	---F---	
CUT LINE	---C---	
SAWCUT	▨	
ASPHALT EDGE	▨	
CONCRETE LINE	▨	
CURB AND GUTTER	▨	
EDGE OF PATCH	▨	

LEGEND

DESCRIPTION	PROPOSED	EXISTING
EDGE OF GRAVEL	---	---
BARBWIRE FENCE	—X—	—X—
SPLIT RAIL FENCE	—//—	—//—
BOARD FENCE	—□—	—□—
CHAIN LINK FENCE	—○—	—○—
TEMPORARY SAFETY FENCE	—/—	—/—
HOG WIRE FENCE	—○—	—○—
WOOD GUARDRAIL	—□—	—□—
METAL HANDRAIL	—·—	—·—
GUY ANCHOR		→
POWER POLE WITH LIGHT		⊙
FLOOD LIGHT		⊙
UTILITY POLE		⊙
PP W/ UG DROP		⊙
PP W/ UG DROP & XMFR		⊙
OVERHEAD POWER		—OP—
POWER		—P—
POWER VAULT		▭
POWER TRANSFORMER		▭
POWER MANHOLE		⊙
POWER HANDHOLE		⊙
POWER CABINET		▭ PWR CAB
POWER RISER		▭ PR
POWER METER		⊙
SOLID LID J-BOX		▭
LUMINAIRE		⊙
TELEPHONE VAULT		▭ T
TELEPHONE RISER		▭ TR
TELEPHONE MANHOLE		⊙ T
TELEPHONE		—T—
TV RISER		▭
TV		—TV—
GAS VALVE		⊙
GAS METER		⊙
GAS		—G—
WATER LINE		—W—
FIRE HYDRANT		⊙
WATER METER		⊙
WATER VALVE		⊙
AREA DRAIN		⊙
ROOF DRAIN		⊙
WATER BLOW OFF VALVE		⊙
WATER POST INDICATOR		⊙
SPRINKLER HEAD ROT=90		⊙

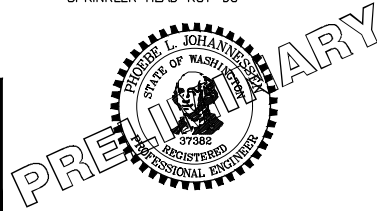
LEGEND

DESCRIPTION	PROPOSED	EXISTING
IRRIGATION CONTROL VALVE		⊙
FLOW DIRECTION	→	→
TRAFFIC SIGNAL POLE W/ LAMP		⊙
TRAFFIC SIGNAL POLE		⊙
TRAFFIC CONTROL LOOP (SQ)		⊙
TRAFFIC CONTROL CABINET		▭
PEDESTRIAN POLE		⊙
MONITORING WELL		⊙
SURFACE POST		⊙
SIGN	▭	▭
SKIP LANE LINE	---	---
SOLID LANE LINE	---	---
FOG LINE	---	---
LTO ARROW		↩
STO ARROW		↩
RTO ARROW		↩
MAILBOX	▭	▭
DECIDUOUS TREE		⊙
CONIFEROUS TREE		⊙
WETLAND SYMBOL		⊙
WETLAND BOUNDARY	---	---
VEGETATION		⊙
STRUCTURAL EARTH WALL	▬	▬
RIP RAP	▬	▬
ROCKERY	▬	▬
HANDICAPPED SYMBOL		⊙
WHEELCHAIR RAMP		▬
BUILDING LINE		▬
CONCRETE STAIR LINE		▬
WOOD STAIRWAY		▬
REMOVE ASPHALT	▬	
PATTERNED CONCRETE INTERSECTION	▬	
RAMP DETECTABLE WARNING	▬	
RESTORATION PLANTING AREA	▬	
SANDBAG DAM	▬	
CHECK DAM	▬	
WATTLE CHECK DAM	▬	
FORMER RAILROAD CENTERLINE	220 + RR C/L	
CONSTRUCTION CENTERLINE	220-00 + A-LINE	

PATH: U:\PSC\Projects\Clients\1521-KingCo\554-1521-075-ELST\995\CAADD\Phase 2\103\Draw\ PLOTTED BY: purgubut DATE: Monday, July 10, 2017 11:02:44 AM LAYOUT: G3

REVISIONS	DATE	BY	DESIGNED
			J. JUN
			B. PURGANAN
			P. JOHANNESSEN
			Y. HO

ONE INCH AT FULL SCALE, IF NOT, SCALE ACCORDINGLY
 FILE NAME: BL1521075P21T03G-03
 JOB No: 554-1521-075 P21T03
 DATE: OCTOBER 2016



Parametrix
 ENGINEERING · PLANNING · ENVIRONMENTAL SCIENCES
 719 2ND AVENUE, SUITE 200 | SEATTLE, WA 98104
 P 206.394.3700
 WWW.PARAMETRIX.COM

PROJECT NAME:
EAST LAKE SAMMAMISH MASTER PLAN TRAIL INGLEWOOD HILL ROAD PARKING LOT
 SAMMAMISH, WA

SSDP2016-00414
000032
60% REVISED REVIEW SUBMITTAL
NOT FOR CONSTRUCTION

CITY OF SAMMAMISH APPROVAL	
City Engineer _____	Date _____
Community Development _____	Date _____

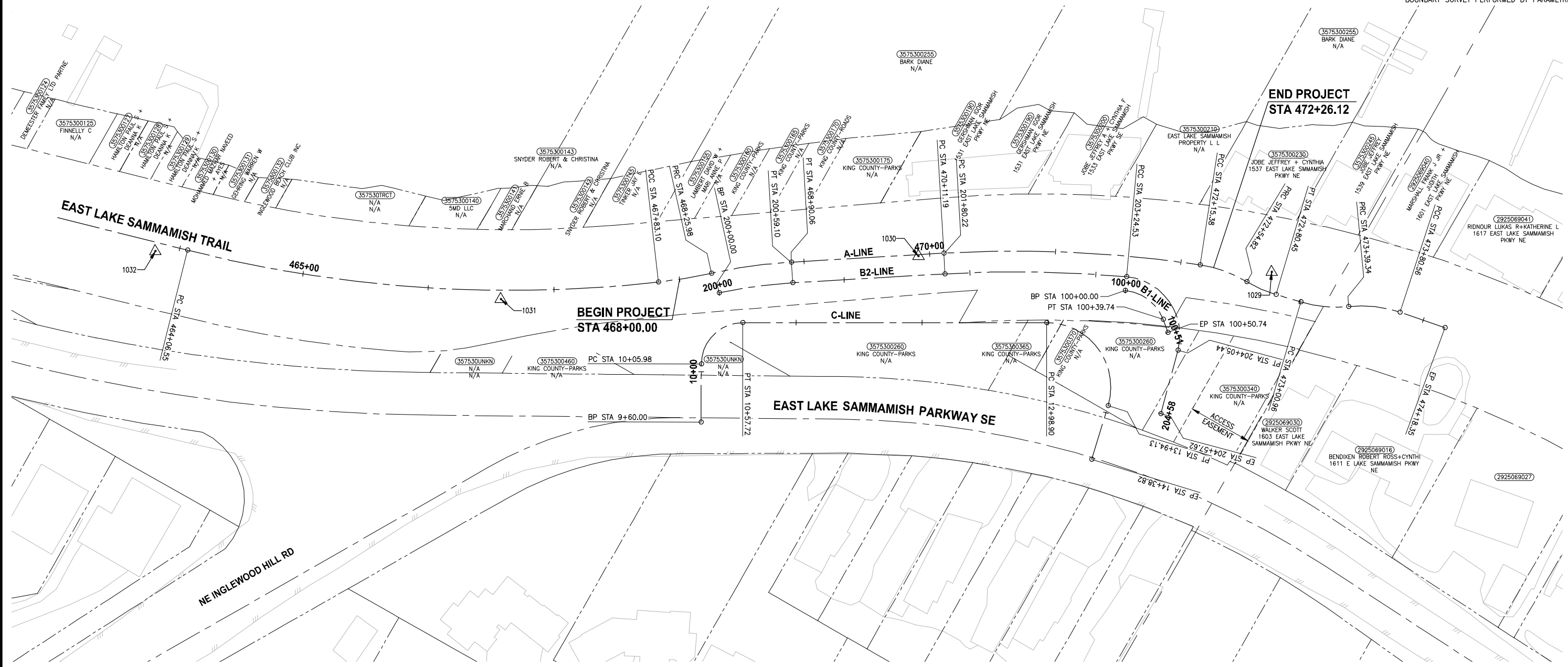
LEGEND

SHEET NO.
 3 OF 29
G3

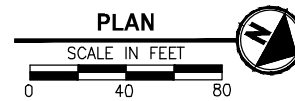
SURVEY NOTES:

- HORIZONTAL DATUM: NAD83 (CORS).
- RTK CORRECTIONS OBTAINED FROM NGS CORS ID POINT "SEAT" ON OCTOBER 3, 2007.
- VERTICAL DATUM: NAVD88.
- WSDOT SITE BENCHMARKS HELD FOR THIS SURVEY ARE NOS. 2355, 6762, 6294, AND 617.
- METHODOLOGY: FIELD MEASUREMENTS FOR THIS SURVEY WERE PERFORMED USING TRIMBLE 5800 RTK WITH CELL PHONE AND LIECA TCRA 1103 FULL ROBOTIC 3 SECOND TOTAL STATION IN CONFORMANCE WITH ACCEPTED SURVEY STANDARDS AS SPECIFIED BY WAC 332-130 FOR LINEAR AND ANGULAR CLOSURE.
- THE RIGHT-OF-WAY DIMENSIONS SHOWN WERE PROVIDED BY KING COUNTY SURVEY AND DO NOT REPRESENT A BOUNDARY SURVEY PERFORMED BY PARAMETRIX.

POINT TABLE				
POINT #	NORTHING	EASTING	ELEVATION	RAW DESCRIPTION
1029	229921.05	1335206.44	47.06	REBAR & CAP
1030	229669.58	1335331.02	46.27	REBAR & CAP
1031	229395.84	1335521.28	46.14	REBAR & CAP
1032	229137.35	1335620.66	46.49	REBAR & CAP



PLOTTED BY: purgubut DATE: Monday, July 10, 2017 11:03:32 AM
 PATH: U:\PSO\Projects\Clients\1521-075-ELST\995\CA00\Phase 2\103.Dwg
 LAYOUT: G4

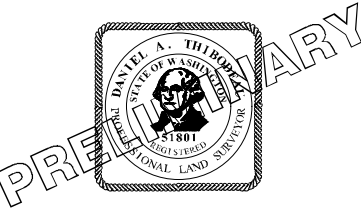


CITY OF SAMMAMISH APPROVAL	
City Engineer _____	Date _____
Community Development _____	Date _____

Exhibit 7
 SSDP2016-00414
 000033
 60% REVISED REVIEW SUBMITTAL
 NOT FOR CONSTRUCTION

REVISIONS	DATE	BY	DESIGNED
			D. THIBODEAU
			B. PURGANAN
			P. JOHANNESSEN
			Y. HO

ONE INCH AT FULL SCALE, IF NOT, SCALE ACCORDINGLY
 FILE NAME: BL1521075P21T03G-04
 JOB No.: 554-1521-075 P21T03
 DATE: OCTOBER 2016

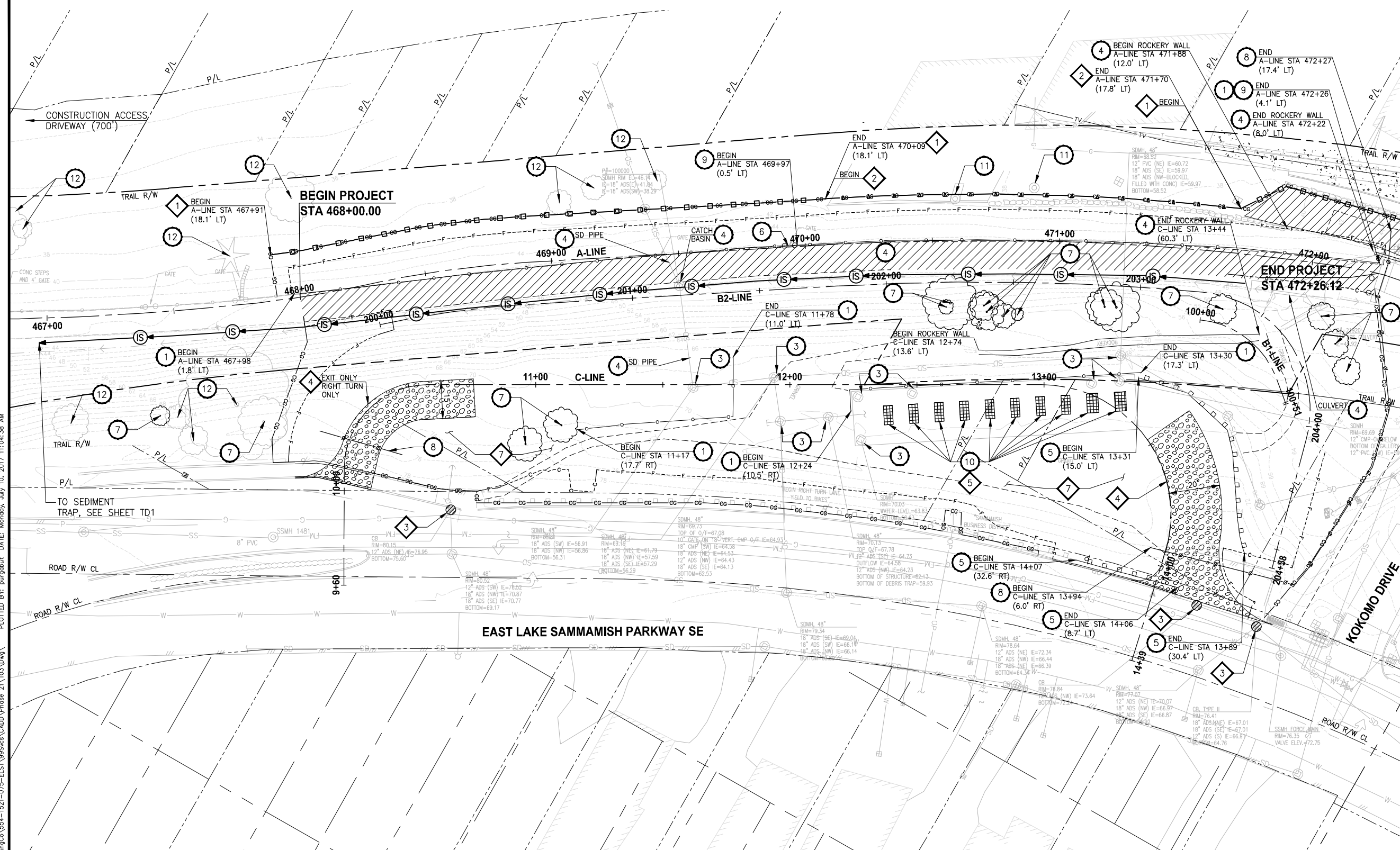


Parametrix
 ENGINEERING · PLANNING · ENVIRONMENTAL SCIENCES
 719 2ND AVENUE, SUITE 200 | SEATTLE, WA 98104
 P 206.394.3700
 WWW.PARAMETRIX.COM

PROJECT NAME
EAST LAKE SAMMAMISH MASTER PLAN TRAIL INGLEWOOD HILL ROAD PARKING LOT
 SAMMAMISH, WA

SURVEY CONTROL PLAN

SHEET NO.
 4 OF 29
G4



- SITE PREPARATION NOTES:**
- 1 REMOVE AND SALVAGE CHAIN LINK FENCE.
 - 2 REMOVE AND DISPOSE STAIR.
 - 3 ADJUST MANHOLE TO FINISHED GRADE. (SEE GENERAL NOTE 1)
 - 4 REMOVAL OF STRUCTURE AND OBSTRUCTION.
 - 5 REMOVE AND SALVAGE GUARDRAILS.
 - 6 REMOVE AND SALVAGE CHAIN LINK GATE.
 - 7 REMOVE TREE OR HEDGE.
 - 8 INSTALL TEMPORARY SAFETY FENCE. SEE SPECIAL PROVISIONS.
 - 9 REMOVE AND SALVAGE WOOD BOARD FENCE.
 - 10 ADJUST METAL GRATE TO FINISHED GRADE. (SEE GENERAL NOTE 1)
 - 11 PRESERVE AND PROTECT SEWER LINE.
 - 12 EXISTING TREE TO REMAIN (DO NOT DISTURB).

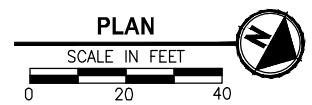
- TESC NOTES:**
- 1 SILT FENCE PER WSDOT STANDARD DETAIL I-30.15-02.
 - 2 TRIANGLE SILT DIKE.
 - 3 STORM DRAIN INLET PROTECTION, PER WSDOT STANDARD DETAIL I-40.20-00.
 - 4 STABILIZED CONSTRUCTION ENTRANCE, PER WSDOT STANDARD DETAIL I-80.10-02.
 - 5 METAL GRATE INLET PROTECTION, SEE DETAIL SHEET TD1.
 - 6 TEMPORARY BYPASS.
 - 7 STAGING AND STOCKPILING AREA (ADJUSTED BY CONTRACTOR AS NEEDED).

- LEGEND:**
- REMOVE EXISTING GRAVEL SURFACE
 - PAVEMENT EXCAVATION LIMIT
 - INLET PROTECTION
 - STABILIZED CONSTRUCTION ENTRANCE
 - NPDES CONSTRUCTION STORMWATER DISCHARGE MONITORING POINT
 - INTERCEPTOR SWALE

- GENERAL NOTES:**
1. SEE PLANT LISTS AND DETAILS ON SHEET LD1.
 2. FINAL DISPOSITION OF THE EXISTING SAND FILTER VAULT HAS NOT BEEN DETERMINED. WORK ON THAT VAULT SHOWN IN THIS PLAN SET MAY OR MAY NOT BE REQUIRED DEPENDING ON THE OUTCOME OF FUTURE COORDINATION WITH THE CITY.

CITY OF SAMMAMISH APPROVAL

City Engineer	Date
Community Development	Date



PLOTTED BY: purgaban, DATE: Monday, July 10, 2017 11:04:38 AM
 PATH: U:\PSD\Projects\Clients\1521-075-ELST\95\Secs\CADD\Phase 21\T03.Dwg
 LAYOUT: SP1

REVISIONS	DATE	BY	DESIGNED
			J. JUN
			B. PURGANAN
			P. JOHANNESSEN
			Y. HO

ONE INCH AT FULL SCALE, IF NOT, SCALE ACCORDINGLY

FILE NAME: BL1521075P21T03SP-01
 JOB No.: 54-1521-075 P21T03
 DATE: OCTOBER 2016



Parametrix
 ENGINEERING · PLANNING · ENVIRONMENTAL SCIENCES

719 2ND AVENUE, SUITE 200 | SEATTLE, WA 98104
 P 206.394.3700
 WWW.PARAMETRIX.COM

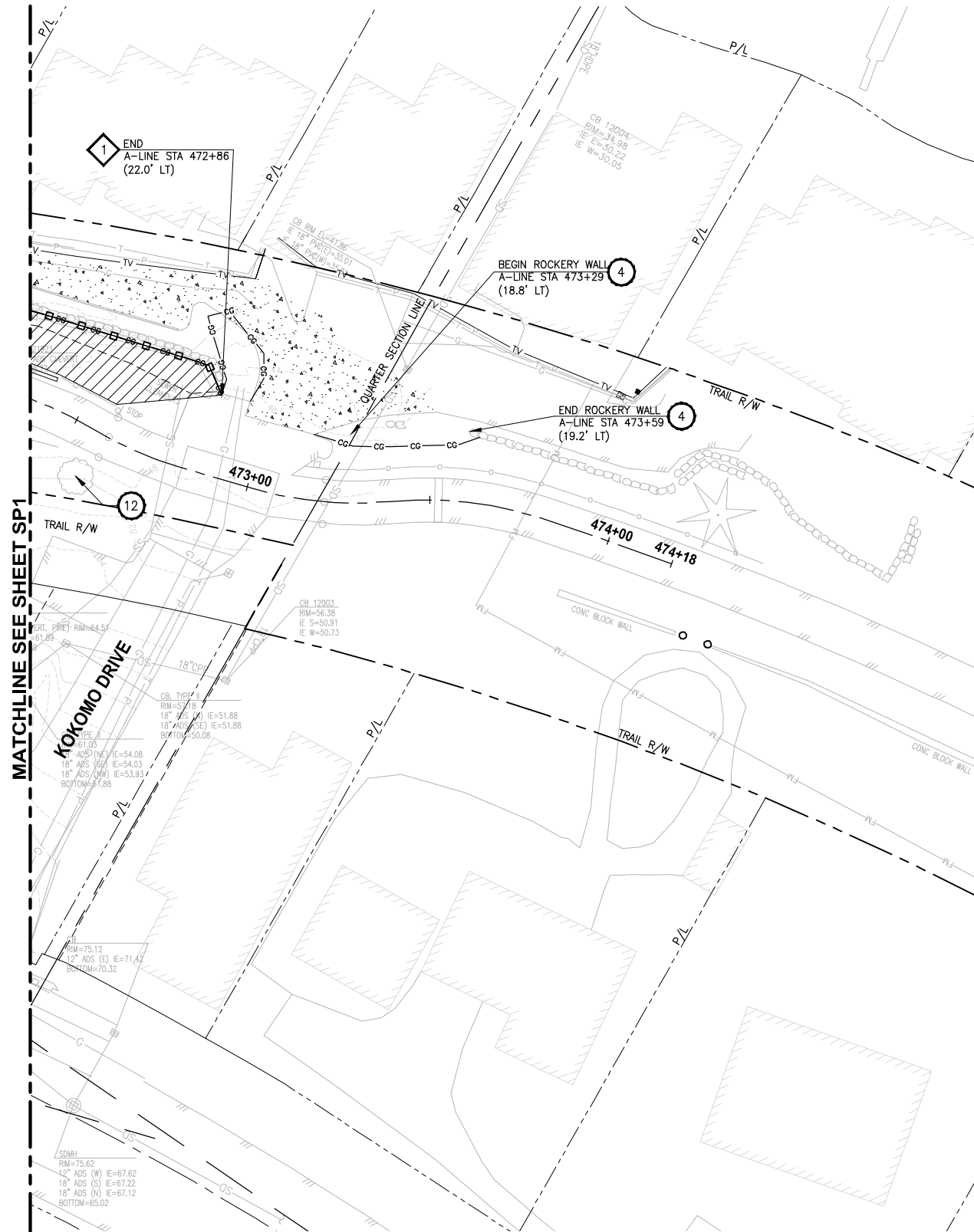
PROJECT NAME
**EAST LAKE SAMMAMISH
 MASTER PLAN TRAIL
 INGLEWOOD HILL ROAD PARKING LOT**
 SAMMAMISH, WA

TESC/SITE PREPARATION PLAN

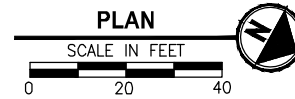
SHEET NO.
5 OF 29

SP1

Exhibit 7
SSDP2016-00414
000034
60% REVISED REVIEW SUBMITTAL
NOT FOR CONSTRUCTION



MATCHLINE SEE SHEET SP1



SITE PREPARATION NOTES:

- 1 REMOVE AND SALVAGE CHAIN LINK FENCE.
- 2 REMOVE AND DISPOSE STAIR.
- 3 ADJUST MANHOLE TO FINISHED GRADE. (SEE GENERAL NOTE 1)
- 4 REMOVAL OF STRUCTURE AND OBSTRUCTION.
- 5 REMOVE AND SALVAGE GUARDRAILS.
- 6 REMOVE AND SALVAGE CHAIN LINK GATE.
- 7 REMOVE TREE OR HEDGE.
- 8 INSTALL TEMPORARY SAFETY FENCE. SEE SPECIAL PROVISIONS.
- 9 REMOVE AND SALVAGE WOOD BOARD FENCE.
- 10 ADJUST METAL GRATE TO FINISHED GRADE. (SEE GENERAL NOTE 1)
- 11 PRESERVE AND PROTECT SEWER LINE.
- 12 EXISTING TREE TO REMAIN (DO NOT DISTURB).

TESC NOTES:

- 1 SILT FENCE PER WSDOT STANDARD DETAIL I-30.15-02.
- 2 TRIANGLE SILT DIKE.
- 3 STORM DRAIN INLET PROTECTION, PER WSDOT STANDARD DETAIL I-40.20-00.
- 4 STABILIZED CONSTRUCTION ENTRANCE, PER WSDOT STANDARD DETAIL I-80.10-02.
- 5 METAL GRATE INLET PROTECTION, SEE DETAIL SHEET TD1.
- 6 TEMPORARY BYPASS.
- 7 STAGING AND STOCKPILING AREA (ADJUSTED BY CONTRACTOR AS NEEDED).

LEGEND:

- REMOVE EXISTING GRAVEL SURFACE
- PAVEMENT EXCAVATION LIMIT
- INLET PROTECTION
- STABILIZED CONSTRUCTION ENTRANCE
- NPDES CONSTRUCTION STORMWATER DISCHARGE MONITORING POINT
- INTERCEPTOR SWALE

GENERAL NOTES:

1. SEE PLANT LISTS AND DETAILS ON SHEET LD1.
2. FINAL DISPOSITION OF THE EXISTING SAND FILTER VAULT HAS NOT BEEN DETERMINED. WORK ON THAT VAULT SHOWN IN THIS PLAN SET MAY OR MAY NOT BE REQUIRED DEPENDING ON THE OUTCOME OF FUTURE COORDINATION WITH THE CITY.

CITY OF SAMMAMISH APPROVAL	
City Engineer _____	Date _____
Community Development _____	Date _____

Exhibit 7
SSDP2016-00414
000035
 60% REVISED REVIEW SUBMITTAL
 NOT FOR CONSTRUCTION

REVISIONS	DATE	BY	DESIGNED
			J. JUN
			B. PURGANAN
			P. JOHANNESSEN
			Y. HO

ONE INCH AT FULL SCALE, IF NOT, SCALE ACCORDINGLY
 FILE NAME: BL1521075P21T03SP-01
 JOB No.: 554-1521-075 P21T03
 DATE: OCTOBER 2016

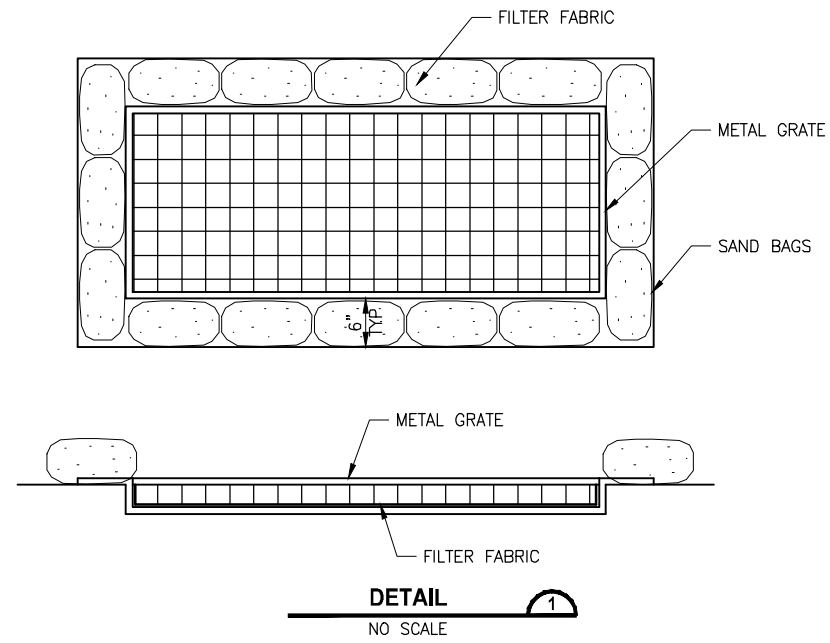


Parametrix
 ENGINEERING · PLANNING · ENVIRONMENTAL SCIENCES
 719 2ND AVENUE, SUITE 200 | SEATTLE, WA 98104
 P 206.394.3700
 WWW.PARAMETRIX.COM

PROJECT NAME
**EAST LAKE SAMMAMISH
 MASTER PLAN TRAIL
 INGLEWOOD HILL ROAD PARKING LOT**
 SAMMAMISH, WA

TESC/SITE PREPARATION PLAN

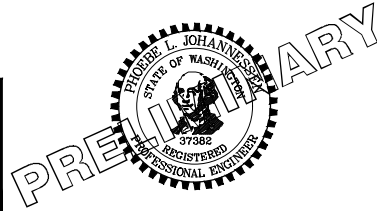
SHEET NO.
 6 OF 29
SP2



PATH: U:\PSO\Projects\Clients\1521-KingCo\554-1521-075-ELST\98\Spec\CADD\Phase 21\103\DWG\ PLOTTED BY: purgobut DATE: Monday, July 10, 2017 11:05:28 AM
 LAYOUT: TD1

REVISIONS	DATE	BY	DESIGNED
			P. JOHANNESSEN
			DRAWN B. PURGANAN
			CHECKED P. JOHANNESSEN
			APPROVED Y. HO

**ONE INCH AT FULL SCALE.
 IF NOT, SCALE ACCORDINGLY**
 FILE NAME
 BL1521075P21T03TD-01
 JOB No.
 554-1521-075 P21T03
 DATE
 OCTOBER 2016



Parametrix
 ENGINEERING · PLANNING · ENVIRONMENTAL SCIENCES
 719 2ND AVENUE, SUITE 200 | SEATTLE, WA 98104
 P 206.394.3700
 WWW.PARAMETRIX.COM

PROJECT NAME
**EAST LAKE SAMMAMISH
 MASTER PLAN TRAIL
 INGLEWOOD HILL ROAD PARKING LOT**
 SAMMAMISH, WA

TESC DETAILS

SHEET NO.
 7 OF 29
TD1

Exhibit 7
 SSDP2016-00414
 000036

CITY OF SAMMAMISH APPROVAL

City Engineer	Date
Community Development	Date

60% REVISED REVIEW SUBMITTAL
 NOT FOR CONSTRUCTION

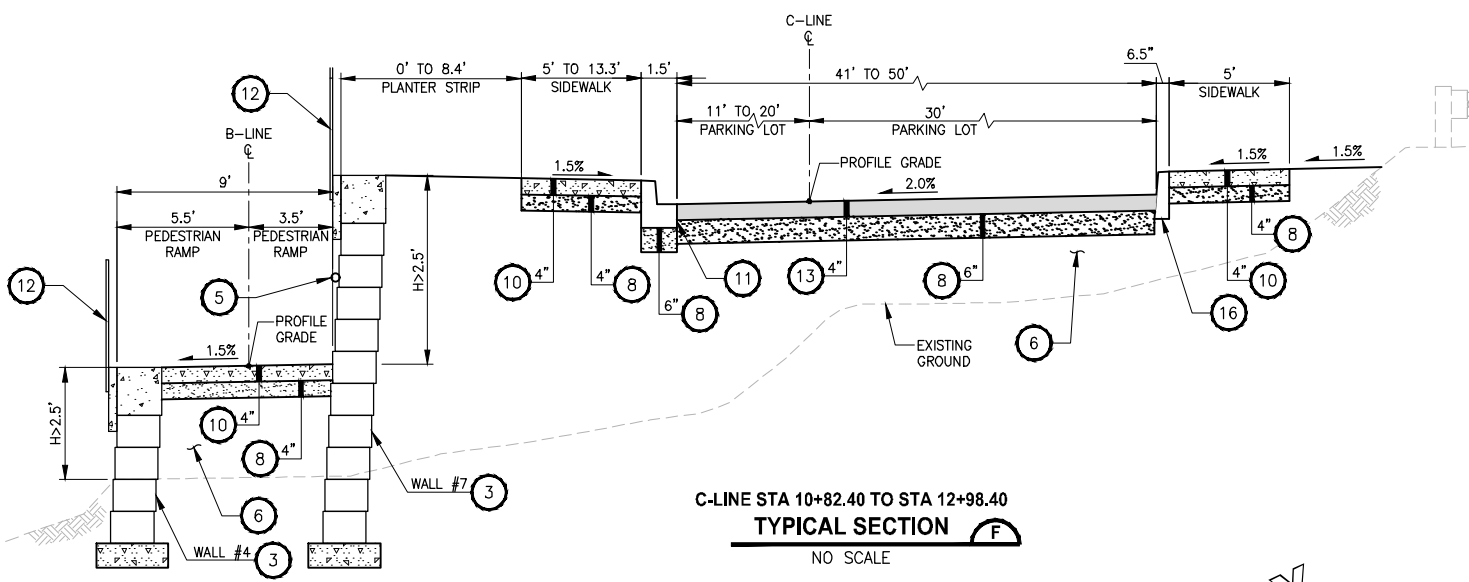
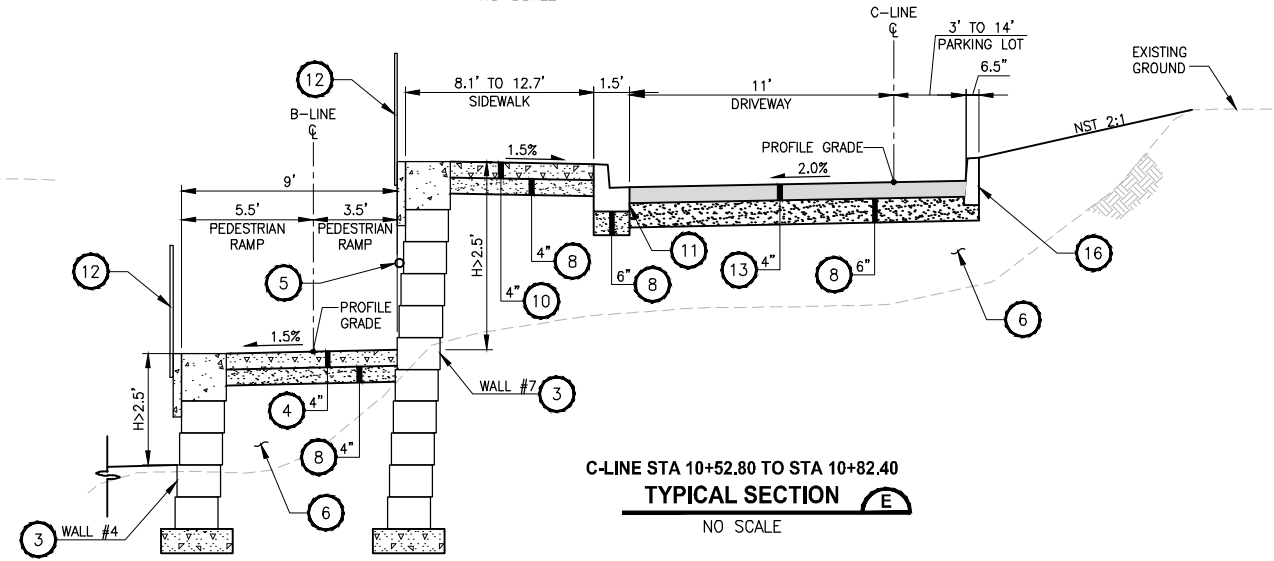
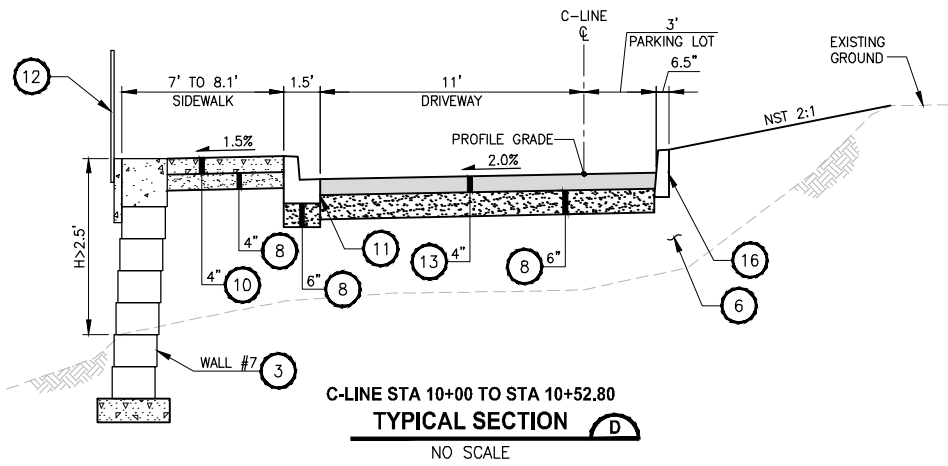
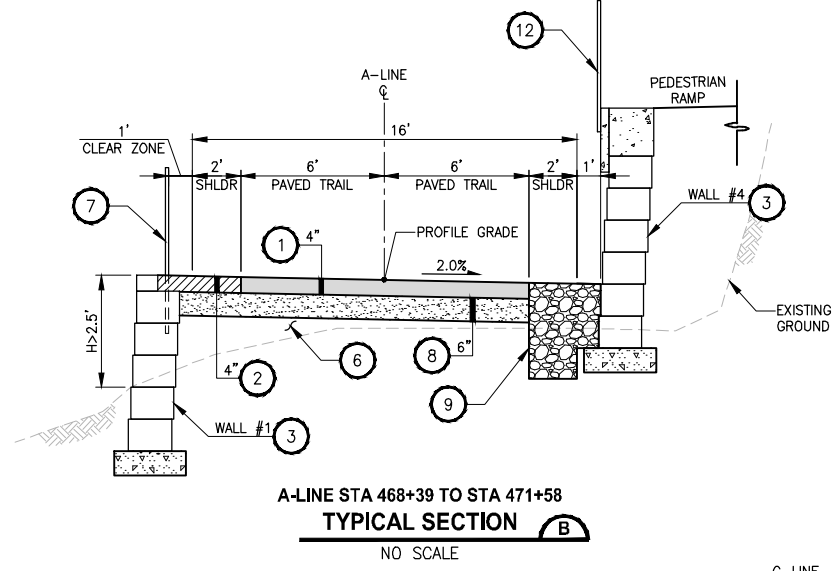
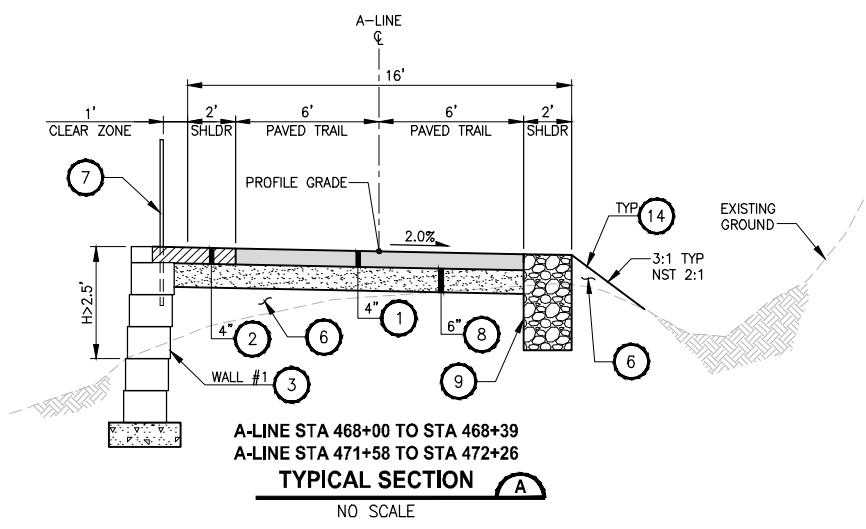
SEC'S 8, 17 TWP. 24 N., RGE. 06 E, W.M.

CONSTRUCTION NOTES:

- 1 HMA CL. 3/8" PG 64-22.
- 2 5/8" MINUS CRUSHED LEDGE ROCK, COMPACTED DEPTH, 100% FRACTURED. SEE SPECIAL PROVISIONS FOR SPECIFICATIONS.
- 3 STRUCTURAL EARTH WALL, SEE AL PLANS FOR LOCATIONS. SEE WP SHEETS FOR WALL PROFILES. SEE WD SHEET FOR DETAILS.
- 4 NOT USED.
- 5 HANDGRIP.
- 6 SELECT BORROW INCL. HAUL.
- 7 COATED CHAIN LINK FENCE TYPE 6.
- 8 CRUSHED SURFACING BASE COURSE.
- 9 INFILTRATION TRENCH (1 SD1)
- 10 CEMENT CONCRETE SIDEWALK PER WSDOT STD PLAN F-30.10-03.
- 11 CEMENT CONCRETE TRAFFIC CURB AND GUTTER PER WSDOT STD PLAN F-10.12-03.
- 12 METAL HANDRAIL PER KING COUNTY ROAD STD FIG 5-008.
- 13 HMA CL. 1/2" PG 64-22.
- 14 4" TOPSOIL TYPE A, SEEDING, FERTILIZING AND MULCHING.
- 15 PIGMENTED CEMENT CONCRETE PAVEMENT (4"x8" NOMINAL BRICK PATTERN).
- 16 CEMENT CONCRETE TRAFFIC CURB PER WSDOT STD PLAN F-10.12-03.

GENERAL NOTE:

1. APPLY SOIL RESIDUAL HERBICIDE 16-FOOT WIDTH TO THE SURFACE OF THE TRAIL CRUSHED SURFACING BASE COURSE PRIOR TO HMA PAVING.



CITY OF SAMMAMISH APPROVAL	
City Engineer _____	Date _____
Community Development _____	Date _____

Exhibit 7
SSDP2016-00414
000037
60% REVISED REVIEW SUBMITTAL
NOT FOR CONSTRUCTION

REVISIONS	DATE	BY	DESIGNED
			J. JUN
			B. PURGANAN
			P. JOHANNESSEN
			Y. HO

ONE INCH AT FULL SCALE.
IF NOT, SCALE ACCORDINGLY.
FILE NAME: BL1521075P21T03CS-01
JOB No.: 554-1521-075 P21T03
DATE: OCTOBER 2016



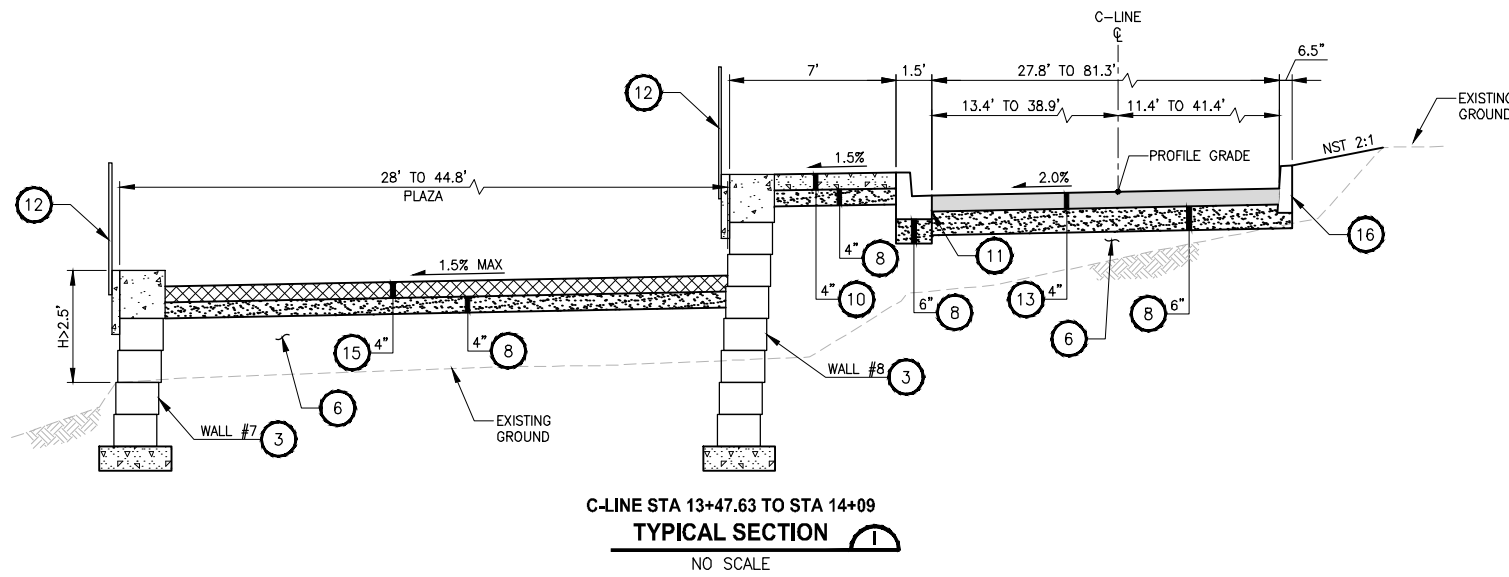
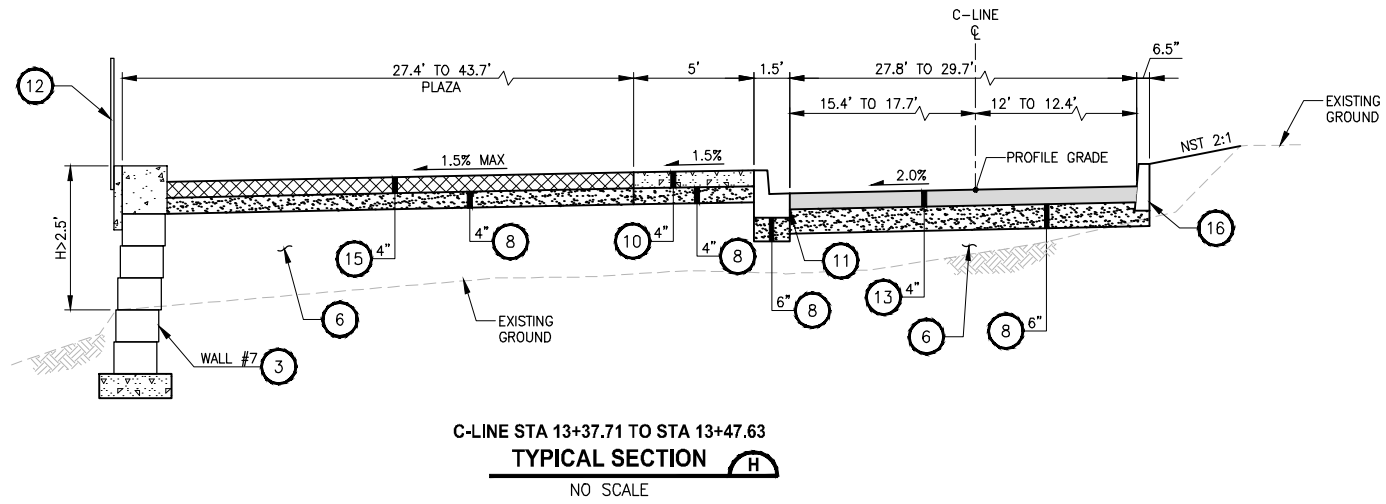
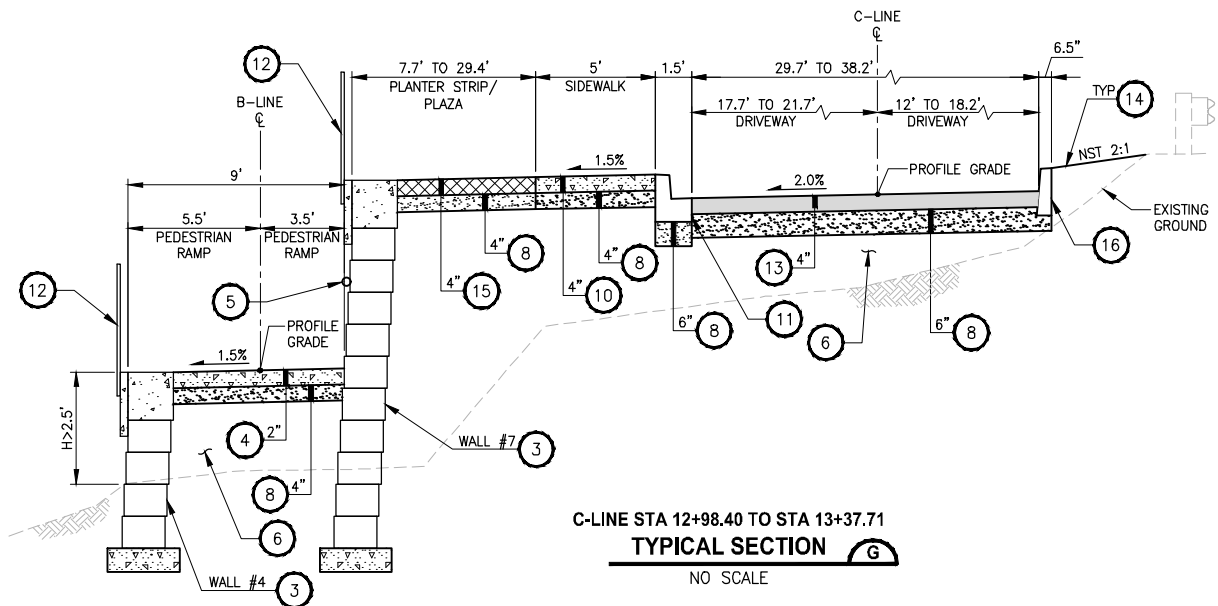
Parametrix
ENGINEERING · PLANNING · ENVIRONMENTAL SCIENCES
719 2ND AVENUE, SUITE 200 | SEATTLE, WA 98104
P 206.394.3700
WWW.PARAMETRIX.COM

PROJECT NAME
**EAST LAKE SAMMAMISH
MASTER PLAN TRAIL
INGLEWOOD HILL ROAD PARKING LOT**
SAMMAMISH, WA

TYPICAL CROSS SECTIONS

SHEET NO.
8 OF 29
CS1

LAYOUT: CSI PATH: U:\P50\Projects\Clients\1521-075-ELST\95Secs\CADD\Phase 21\T03.Dwg PLOTTED BY: purgaban DATE: Monday, July 10, 2017 11:05:55 AM



CONSTRUCTION NOTES:

- 1 HMA CL. 3/8" PG 64-22.
- 2 5/8" MINUS CRUSHED LEDGE ROCK, COMPACTED DEPTH, 100% FRACTURED. SEE SPECIAL PROVISIONS FOR SPECIFICATIONS.
- 3 STRUCTURAL EARTH WALL, SEE AL PLANS FOR LOCATIONS. SEE WP SHEETS FOR WALL PROFILES. SEE WD SHEET FOR DETAILS.
- 4 NOT USED.
- 5 HANDGRIP.
- 6 SELECT BORROW INCL. HAUL.
- 7 COATED CHAIN LINK FENCE TYPE 6.
- 8 CRUSHED SURFACING BASE COURSE.
- 9 INFILTRATION TRENCH (1 SD1)
- 10 CEMENT CONCRETE SIDEWALK PER WSDOT STD PLAN F-30.10-03.
- 11 CEMENT CONCRETE TRAFFIC CURB AND GUTTER PER WSDOT STD PLAN F-10.12-03.
- 12 METAL HANDRAIL PER KING COUNTY ROAD STD FIG 5-008.
- 13 HMA CL. 1/2" PG 64-22.
- 14 4" TOPSOIL TYPE A, SEEDING, FERTILIZING AND MULCHING.
- 15 PIGMENTED CEMENT CONCRETE PAVEMENT (4"x8" NOMINAL BRICK PATTERN).
- 16 CEMENT CONCRETE TRAFFIC CURB PER WSDOT STD PLAN F-10.12-03.

GENERAL NOTE:

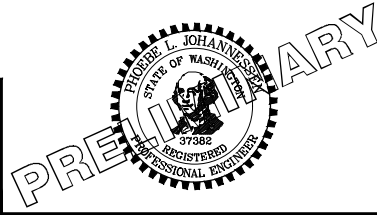
1. APPLY SOIL RESIDUAL HERBICIDE 16-FOOT WIDTH TO THE SURFACE OF THE TRAIL CRUSHED SURFACING BASE COURSE PRIOR TO HMA PAVING.

PATH: U:\PSO\Projects\Clients\1521-KingCo\554-1521-075-ELST\99Svcs\CAD00\Phase 21\T03\DWG\ PLOTTED BY: purgaban DATE: Monday, July 10, 2017 11:06:07 AM
 LAYOUT: CS2

REVISIONS	DATE	BY	DESIGNED
			J. JUN
			B. PURGANAN
			P. JOHANNESSEN
			Y. HO

ONE INCH AT FULL SCALE.
IF NOT, SCALE ACCORDINGLY

FILE NAME: BL1521075P21T03CS-01
JOB No: 554-1521-075 P21T03
DATE: OCTOBER 2016



Parametrix
ENGINEERING · PLANNING · ENVIRONMENTAL SCIENCES

719 2ND AVENUE, SUITE 200 | SEATTLE, WA 98104
P 206.394.3700
WWW.PARAMETRIX.COM

PROJECT NAME
**EAST LAKE SAMMAMISH
MASTER PLAN TRAIL
INGLEWOOD HILL ROAD PARKING LOT**
SAMMAMISH, WA

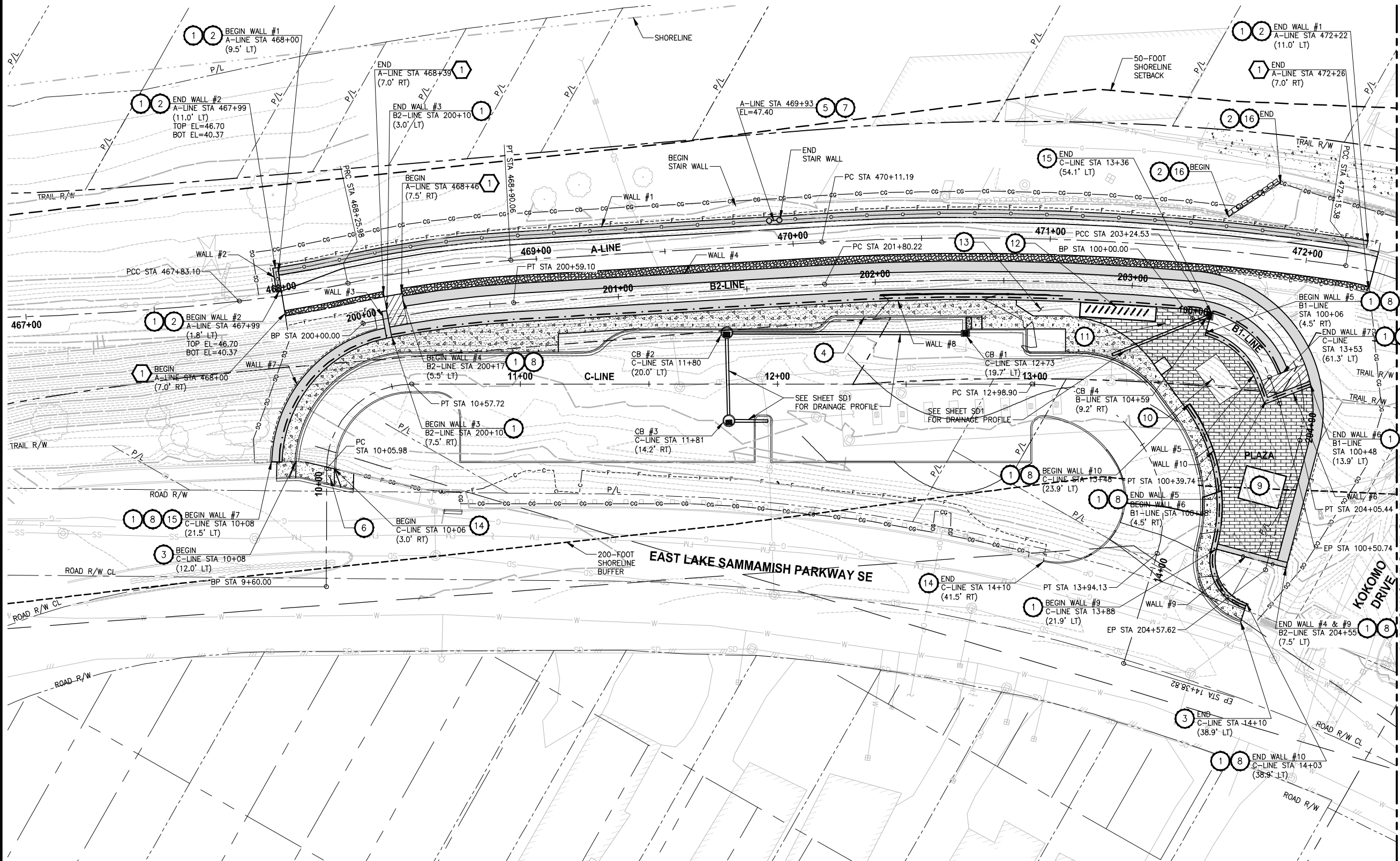
TYPICAL CROSS SECTIONS

SHEET NO.
9 OF 29
CS2

Exhibit 7
SSDP2016-00414
000038

CITY OF SAMMAMISH APPROVAL	
City Engineer _____	Date _____
Community Development _____	Date _____

60% REVISED REVIEW SUBMITTAL
NOT FOR CONSTRUCTION



- CIVIL CONSTRUCTION NOTES:**
1. INSTALL STRUCTURAL EARTH WALL. SEE WALL DETAILS ON WD SHEETS. SEE WALL PROFILES ON WP SHEETS.
 2. INSTALL COATED CHAIN LINK FENCE TYPE 6. FOR GROUND POST INSTALLATION, SEE APPENDIX B IN THE SPECIFICATIONS. SEE WD SHEET FOR MOUNTING ON TOP OF WALL.
 3. CEMENT CONCRETE CURB AND GUTTER PER WSDOT STD PLAN F-10.12-03. SEE DETAILS IN APPENDIX B OF SPECIFICATIONS.
 4. PERPENDICULAR CURB RAMP PER WSDOT STD PLAN F-40.15-02. SEE DETAILS IN APPENDIX B OF SPECIFICATIONS.
 5. INSTALL CONCRETE STAIR AND PEDESTRIAN HANDRAIL. SEE DETAILS ON MD SHEET.
 6. CEMENT CONCRETE DRIVEWAY TYPE A PER CITY OF SAMMAMISH DEPARTMENT OF PUBLIC WORKS STD PLAN FIG 02-07.
 7. INSTALL CHAIN LINK CANTILEVER GATE. SEE DETAIL ON SHEET MD1.
 8. INSTALL METAL HANDRAIL PER KING COUNTY ROAD STD FIG. 5-008.
 9. PUBLIC RESTROOM (TO BE DESIGNED BY OTHERS).
 10. COVERED PICNIC TABLE AREA.
 11. KIOSK CONCRETE PAD. KIOSK SHALL BE PROVIDED BY THE COUNTY.
 12. SHELTERED BIKE PARKING.
 13. PLANTER, SEE SHEET PS1 FOR DETAILS.
 14. CEMENT CONCRETE TRAFFIC CURB PER WSDOT STD PLAN F-10.12-03.
 15. TRAFFIC CAST IN PLACE TRAFFIC BARRIER.
 16. ROCK WALL.

- STORMWATER CONSTRUCTION NOTES:**
1. INFILTRATION TRENCH, SEE DETAIL 1 ON SHEET SD1.

- LEGEND:**
- RETAINING WALL
 - CEMENT CONCRETE SIDEWALK
 - DETECTABLE WARNING SURFACE PER WSDOT STD PLAN F-45.10-01.
 - LANDING
 - PIGMENTED CEMENT CONCRETE PAVEMENT (4"X8" BRICK PATTERN)

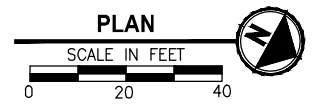
- GENERAL NOTES:**
1. SEE PLANT LISTS AND DETAILS ON SHEET LD1.
 2. FINAL DISPOSITION OF THE EXISTING SAND FILTER VAULT HAS NOT BEEN DETERMINED. WORK ON THAT VAULT SHOWN IN THIS PLAN SET MAY OR MAY NOT BE REQUIRED DEPENDING ON THE OUTCOME OF FUTURE COORDINATION WITH THE CITY.

CITY OF SAMMAMISH APPROVAL

City Engineer	Date
Community Development	Date

Exhibit 7
SSDP2016-00414
000039

60% REVISED REVIEW SUBMITTAL
NOT FOR CONSTRUCTION



REVISIONS	DATE	BY	DESIGNED
			J. JUN
			B. PURGANAN
			P. JOHANNESSEN
			Y. HO

ONE INCH AT FULL SCALE, IF NOT, SCALE ACCORDINGLY

FILE NAME: BL1521075P21T03AL-01
 JOB No.: 554-1521-075 P21T03
 DATE: OCTOBER 2016

Parametrix
 ENGINEERING · PLANNING · ENVIRONMENTAL SCIENCES

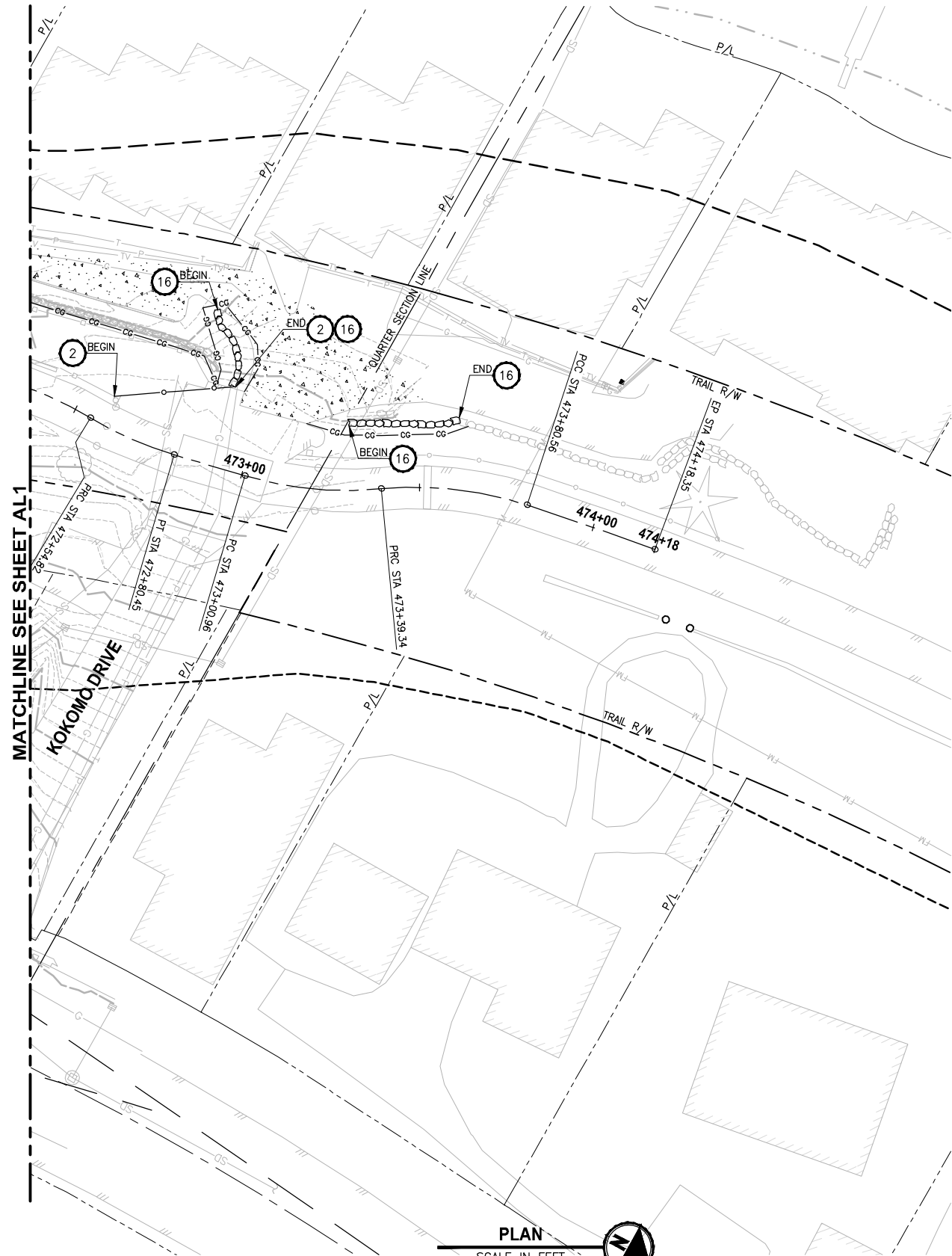
739 2ND AVENUE, SUITE 200 | SEATTLE, WA 98104
 P 206.394.3700
 WWW.PARAMETRIX.COM

PROJECT NAME
EAST LAKE SAMMAMISH MASTER PLAN TRAIL INGLEWOOD HILL ROAD PARKING LOT
 SAMMAMISH, WA

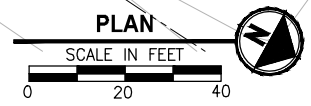
PARKING LOT PLAN

SHEET NO.
 10 OF 29
AL1

PLOTTED BY: purgaban DATE: Monday, July 10, 2017 11:07:25 AM
 PATH: U:\PSO\Projects\Clients\1521-075-ELST\98\Spec\CADD\Phase 2\1\03\DWG



MATCHLINE SEE SHEET AL1



PRELIMINARY

CIVIL CONSTRUCTION NOTES:

- 1 INSTALL STRUCTURAL EARTH WALL. SEE WALL DETAILS ON WD SHEETS. SEE WALL PROFILES ON WP SHEETS.
- 2 INSTALL COATED CHAIN LINK FENCE TYPE 6, FOR GROUND POST INSTALLATION, SEE APPENDIX B IN THE SPECIFICATIONS. SEE WD SHEET FOR MOUNTING ON TOP OF WALL.
- 3 CEMENT CONCRETE TRAFFIC CURB AND GUTTER PER WSDOT STD PLAN F-10.12-03. SEE DETAILS IN APPENDIX B OF SPECIFICATIONS.
- 4 PERPENDICULAR CURB RAMP PER WSDOT STD PLAN F-40.15-02. SEE DETAILS IN APPENDIX B OF SPECIFICATIONS.
- 5 INSTALL CONCRETE STAIR AND PEDESTRIAN HANDRAIL. SEE DETAILS ON MD SHEET.
- 6 CEMENT CONCRETE DRIVEWAY TYPE A PER CITY OF SAMMAMISH DEPARTMENT OF PUBLIC WORKS STD PLAN FIG 02-07.
- 7 INSTALL CHAIN LINK CANTILEVER GATE. SEE DETAIL ON SHEET MD1.
- 8 INSTALL METAL HANDRAIL PER KING COUNTY ROAD STD FIG. 5-008.
- 9 PUBLIC RESTROOM (TO BE DESIGNED BY OTHERS).
- 10 COVERED PICNIC TABLE AREA.
- 11 KIOSK CONCRETE PAD. KIOSK SHALL BE PROVIDED BY THE COUNTY.
- 12 SHELTERED BIKE PARKING.
- 13 PLANTER, SEE SHEET PS1 FOR DETAILS.
- 14 CEMENT CONCRETE TRAFFIC CURB PER WSDOT STD PLAN F-10.12-03.
- 15 TRAFFIC CAST IN PLACE TRAFFIC BARRIER.
- 16 ROCK WALL.

STORMWATER CONSTRUCTION NOTES:

- 1 INFILTRATION TRENCH, SEE DETAIL 1 ON SHEET SD1.

LEGEND:

- RETAINING WALL
- CEMENT CONCRETE SIDEWALK
- DETECTABLE WARNING SURFACE PER WSDOT STD PLAN F-45.10-01.
- LANDING
- PIGMENTED CEMENT CONCRETE PAVEMENT (4"X8" BRICK PATTERN)

GENERAL NOTES:

1. SEE PLANT LISTS AND DETAILS ON SHEET LD1.
2. FINAL DISPOSITION OF THE EXISTING SAND FILTER VAULT HAS NOT BEEN DETERMINED. WORK ON THAT VAULT SHOWN IN THIS PLAN SET MAY OR MAY NOT BE REQUIRED DEPENDING ON THE OUTCOME OF FUTURE COORDINATION WITH THE CITY.

CITY OF SAMMAMISH APPROVAL	
City Engineer _____	Date _____
Community Development _____	Date _____

Exhibit 7
SSDP2016-00414
000040
60% REVISED REVIEW SUBMITTAL
NOT FOR CONSTRUCTION

REVISIONS	DATE	BY	DESIGNED
			J. JUN
			B. PURGANAN
			P. JOHANNESSEN
			Y. HO

ONE INCH AT FULL SCALE, IF NOT, SCALE ACCORDINGLY
 FILE NAME: BL1521075P21T03AL-01
 JOB No.: 534-1521-075 P21T03
 DATE: OCTOBER 2016

Parametrix
 ENGINEERING · PLANNING · ENVIRONMENTAL SCIENCES
 719 2ND AVENUE, SUITE 200 | SEATTLE, WA 98104
 P 206.394.3700
 WWW.PARAMETRIX.COM

PROJECT NAME
**EAST LAKE SAMMAMISH
 MASTER PLAN TRAIL
 INGLEWOOD HILL ROAD PARKING LOT**
 SAMMAMISH, WA

PARKING LOT PLAN

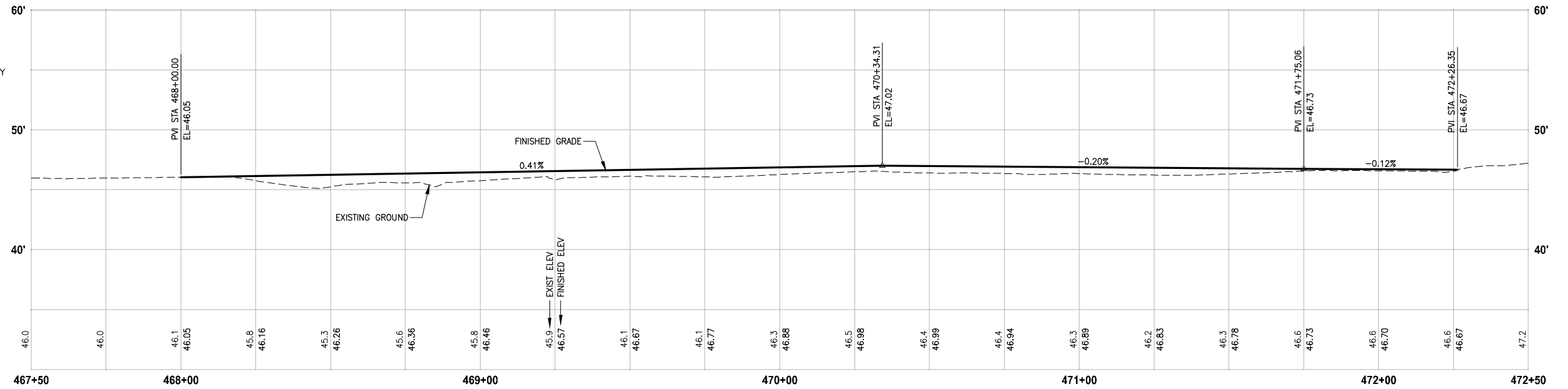
SHEET NO.
11 OF 29

AL2

SEC'S 8, 17 TWP. 24 N., RGE. 06 E, W.M.

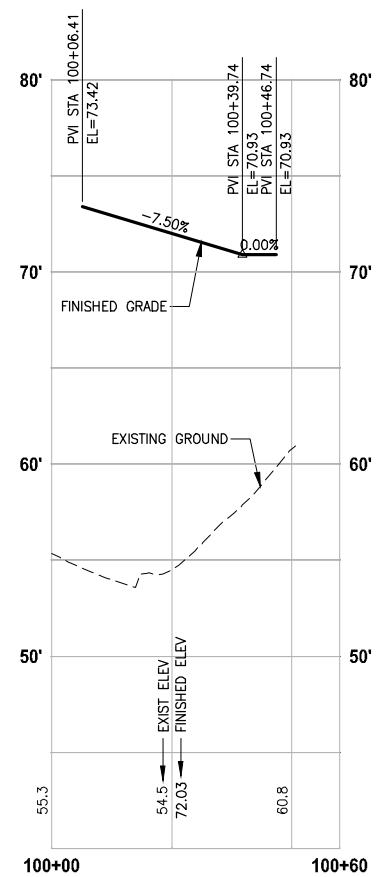
GENERAL NOTES:

1. FINAL DISPOSITION OF THE EXISTING SAND FILTER VAULT HAS NOT BEEN DETERMINED. WORK SHOWN IN THESE PLANS MAY OR MAY NOT BE REQUIRED DEPENDING ON FUTURE COORDINATION WITH THE CITY.



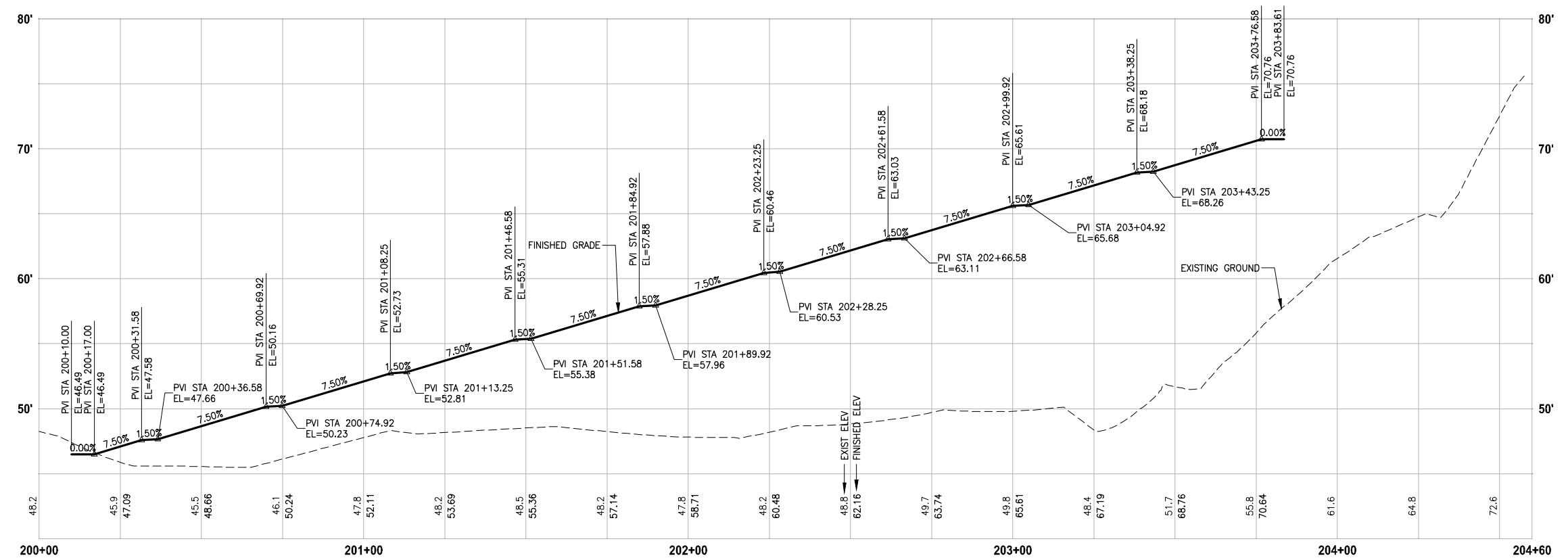
A-LINE PROFILE

HORIZ: 1"=20'
VERT: 1"=5'



B1-LINE PROFILE

HORIZ: 1"=20'
VERT: 1"=5'



B2-LINE PROFILE

HORIZ: 1"=20'
VERT: 1"=5'

CITY OF SAMMAMISH APPROVAL	
City Engineer _____	Date _____
Community Development _____	Date _____

Exhibit 7
SSDP2016-00414
000041

60% REVISED REVIEW SUBMITTAL
NOT FOR CONSTRUCTION

REVISIONS	DATE	BY	DESIGNED
			J. JUN
			B. PURGANAN
			P. JOHANNESSEN
			Y. HO

ONE INCH AT FULL SCALE, IF NOT, SCALE ACCORDINGLY
FILE NAME: BL1521075P21T03AL-01
JOB No.: 554-1521-075 P21T03
DATE: OCTOBER 2016



Parametrix
ENGINEERING · PLANNING · ENVIRONMENTAL SCIENCES
719 2ND AVENUE, SUITE 200 | SEATTLE, WA 98104
P 206.394.3700
WWW.PARAMETRIX.COM

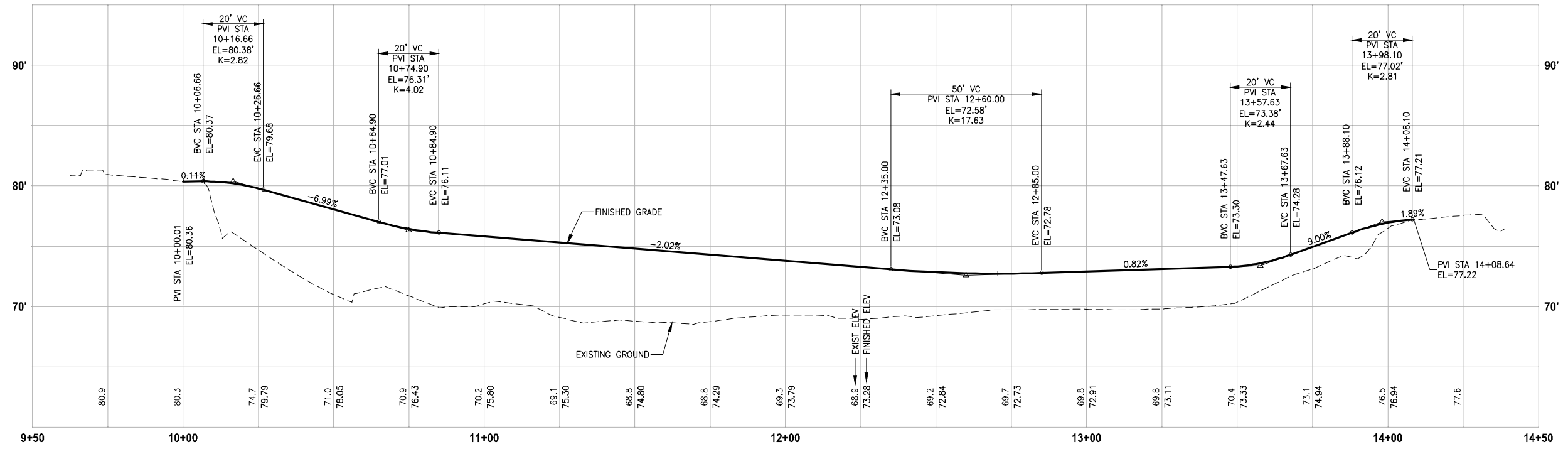
PROJECT NAME
EAST LAKE SAMMAMISH MASTER PLAN TRAIL INGLEWOOD HILL ROAD PARKING LOT
SAMMAMISH, WA

PARKING LOT PROFILE

SHEET NO. 12 OF 29
AL3

PATH: U:\P50\Projects\Clients\1521-075-ELST\985Secs\CADD\Phase 2\1\T03\DWG\ PLOTTED BY: purganan DATE: Monday, July 10, 2017 11:07:59 AM LAYOUT: AL3

SEC'S 8, 17 TWP. 24 N., RGE. 06 E, W.M.



C-LINE PROFILE
 HORIZ: 1"=20'
 VERT: 1"=5'

LAYOUT: AL4
 PATH: U:\P50\Projects\Clients\1521-KingCo\554-1521-075-ELST\98Secs\CADD\Phase 21\103\DWG\ PLOTTED BY: purgabut DATE: Monday, July 10, 2017 11:08:13 AM

REVISIONS	DATE	BY	DESIGNED
			J. JUN
			B. PURGANAN
			P. JOHANNESSEN
			Y. HO

ONE INCH AT FULL SCALE, IF NOT, SCALE ACCORDINGLY
 FILE NAME: BL1521075P21T03AL-01
 JOB No.: 554-1521-075 P21T03
 DATE: OCTOBER 2016



Parametrix
 ENGINEERING · PLANNING · ENVIRONMENTAL SCIENCES
 719 2ND AVENUE, SUITE 200 | SEATTLE, WA 98104
 P 206.394.3700
 WWW.PARAMETRIX.COM

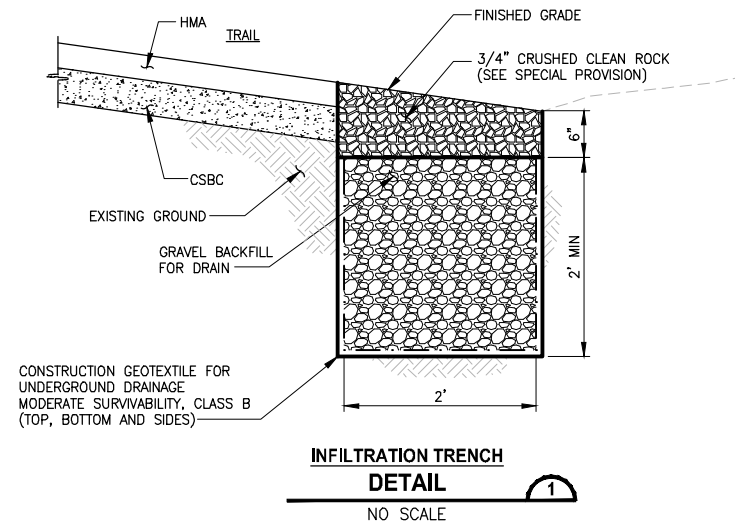
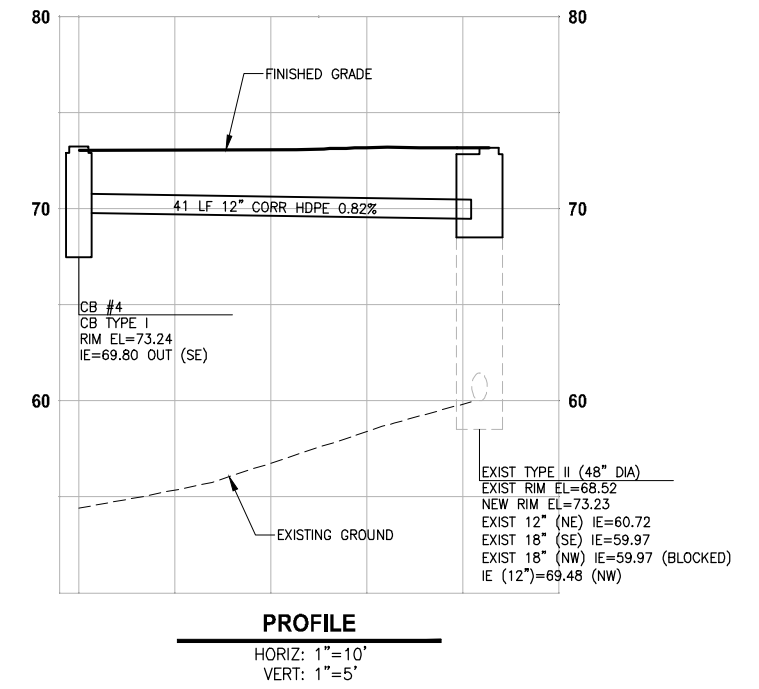
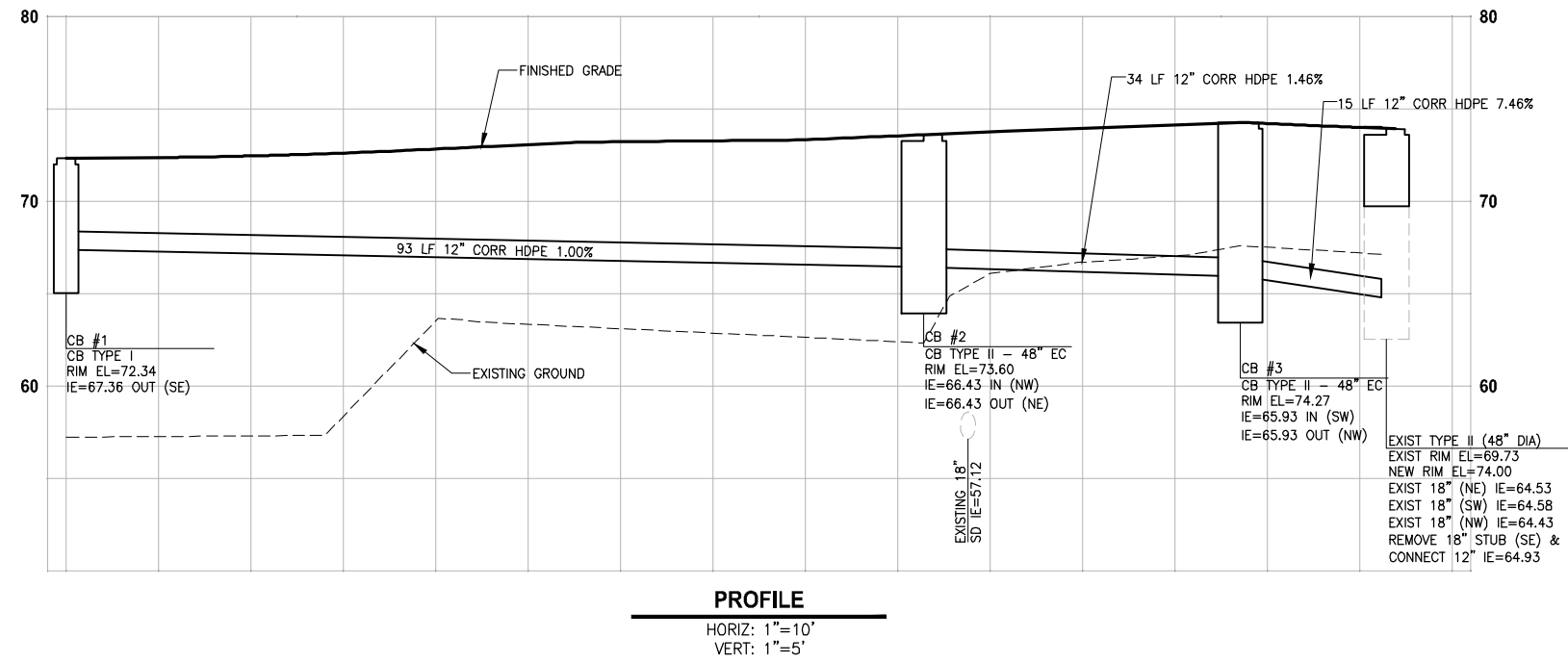
PROJECT NAME
**EAST LAKE SAMMAMISH
 MASTER PLAN TRAIL
 INGLEWOOD HILL ROAD PARKING LOT**
 SAMMAMISH, WA

PARKING LOT PROFILE

SHEET NO.
 13 OF 29
AL4

Exhibit 7
SSDP2016-00414
000042
60% REVISED REVIEW SUBMITTAL
NOT FOR CONSTRUCTION

CITY OF SAMMAMISH APPROVAL	
City Engineer _____	Date _____
Community Development _____	Date _____



PATH: U:\P50\Projects\Clients\1521-075-ELST\985Secs\CADD\Phase 21\103.Dwg PLOTTED BY: purgaban DATE: Monday, July 10, 2017 11:09:04 AM LAYOUT: SD1

REVISIONS	DATE	BY	DESIGNED
			P. JOHANNESSEN
			B. PURGANAN
			P. JOHANNESSEN
			Y. HO

ONE INCH AT FULL SCALE, IF NOT, SCALE ACCORDINGLY
 FILE NAME: BL1521075P21TO3SD-01
 JOB No: 54-1521-075 P21T03
 DATE: OCTOBER 2016



Parametrix
 ENGINEERING · PLANNING · ENVIRONMENTAL SCIENCES
 719 2ND AVENUE, SUITE 200 | SEATTLE, WA 98104
 P 206.394.3700
 WWW.PARAMETRIX.COM

PROJECT NAME
EAST LAKE SAMMAMISH MASTER PLAN TRAIL INGLEWOOD HILL ROAD PARKING LOT
 SAMMAMISH, WA

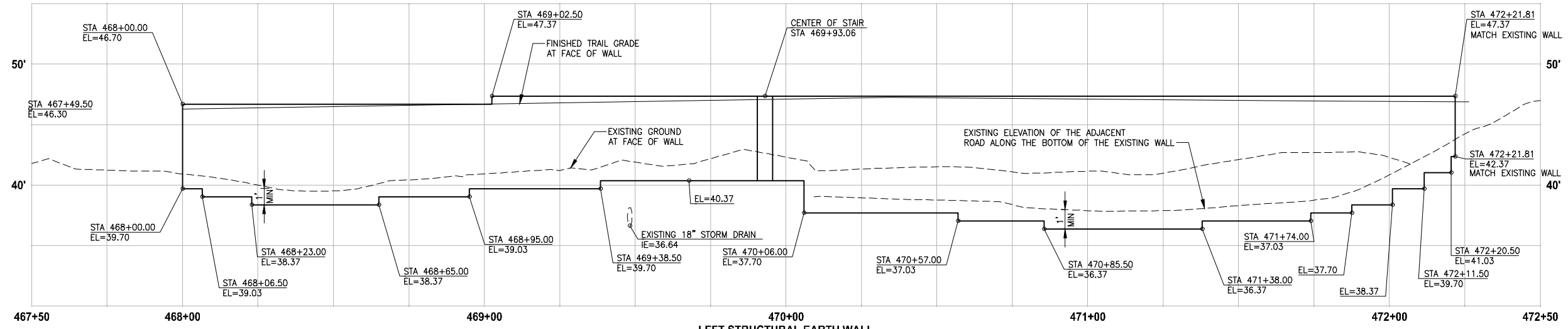
DRAINAGE PROFILES AND DETAILS

SHEET NO. 14 OF 29
SD1

Exhibit 7
SSDP2016-00414
000043
 60% REVISED REVIEW SUBMITTAL
 NOT FOR CONSTRUCTION

CITY OF SAMMAMISH APPROVAL	
City Engineer _____	Date _____
Community Development _____	Date _____

SEC'S 8, 17 TWP. 24 N., RGE. 06 E, W.M.

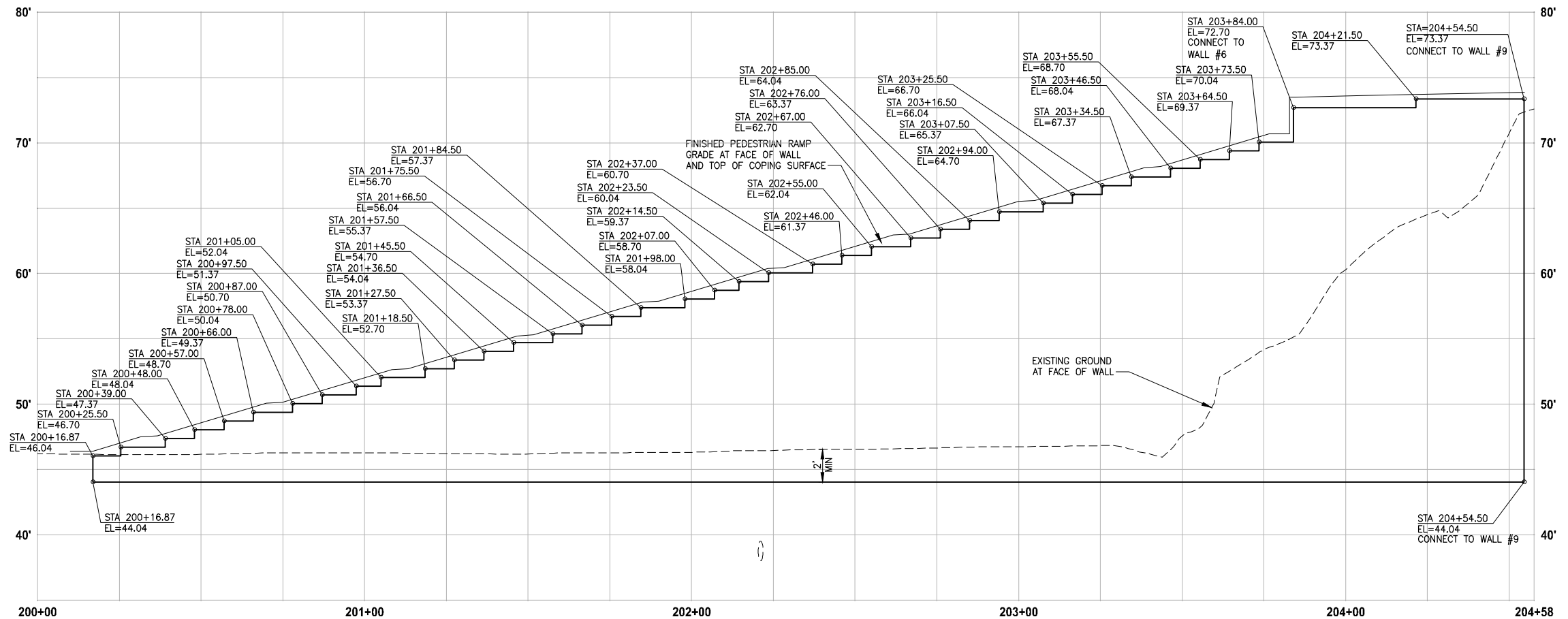


**LEFT STRUCTURAL EARTH WALL
WALL #1 (FILL) A-LINE**

HORIZ: 1"=20'
VERT: 1"=5'

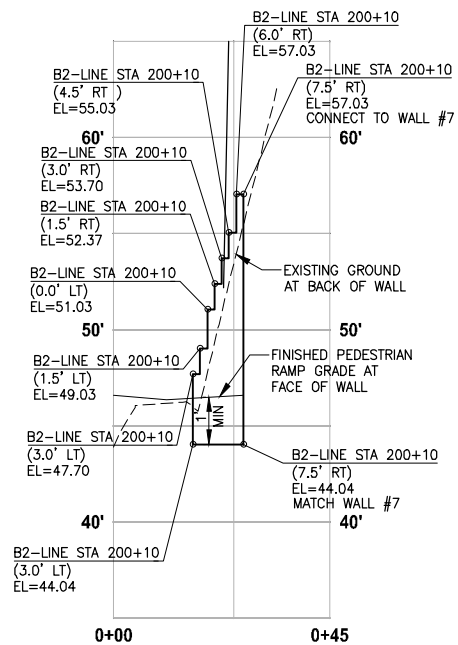
NOTE:

- UTILITIES SHOWN ARE APPROXIMATE. CONTRACTOR TO VERIFY LOCATIONS AND DEPTH, AS AUTHORIZED BY THE ENGINEER.



**LEFT STRUCTURAL EARTH WALL
WALL #4 (FILL) B2-LINE**

HORIZ: 1"=20'
VERT: 1"=5'



**STRUCTURAL EARTH WALL
WALL #3 (CUT) B2-LINE**

HORIZ: 1"=20'
VERT: 1"=5'

CITY OF SAMMAMISH APPROVAL	
City Engineer _____	Date _____
Community Development _____	Date _____

Exhibit 7
SSDP2016-00414
000044

60% REVISED REVIEW SUBMITTAL
NOT FOR CONSTRUCTION

LAYOUT: WP1 PATH: U:\PSO\Projects\Clients\1521-075-ELST\99Secs\CAD00\Phase 21\T03\DWG\ PLOTTED BY: purgaba DATE: Monday, July 10, 2017 11:09:35 AM

REVISIONS	DATE	BY	DESIGNED
			J. JUN
			B. PURGANA
			P. JOHANNESSEN
			Y. HO

ONE INCH AT FULL SCALE.
IF NOT, SCALE ACCORDINGLY

FILE NAME: BL1521075P21T03WP-01
JOB No.: 554-1521-075 P21T03
DATE: OCTOBER 2016



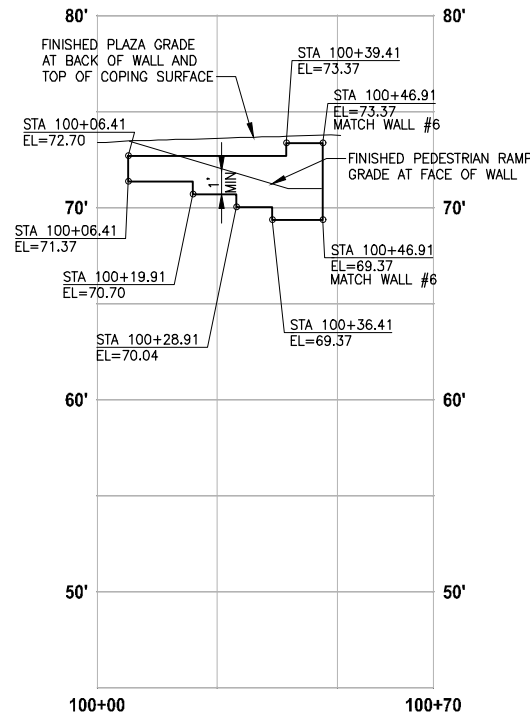
Parametrix
ENGINEERING · PLANNING · ENVIRONMENTAL SCIENCES

719 2ND AVENUE, SUITE 200 | SEATTLE, WA 98104
P 206.394.3700
WWW.PARAMETRIX.COM

PROJECT NAME
**EAST LAKE SAMMAMISH
MASTER PLAN TRAIL
INGLEWOOD HILL ROAD PARKING LOT**
SAMMAMISH, WA

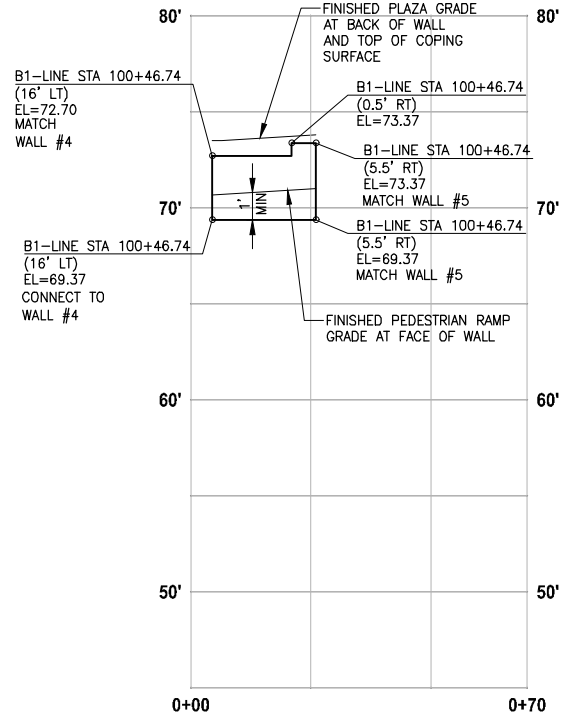
WALL PROFILES

SHEET NO.
15 OF 29
WP1



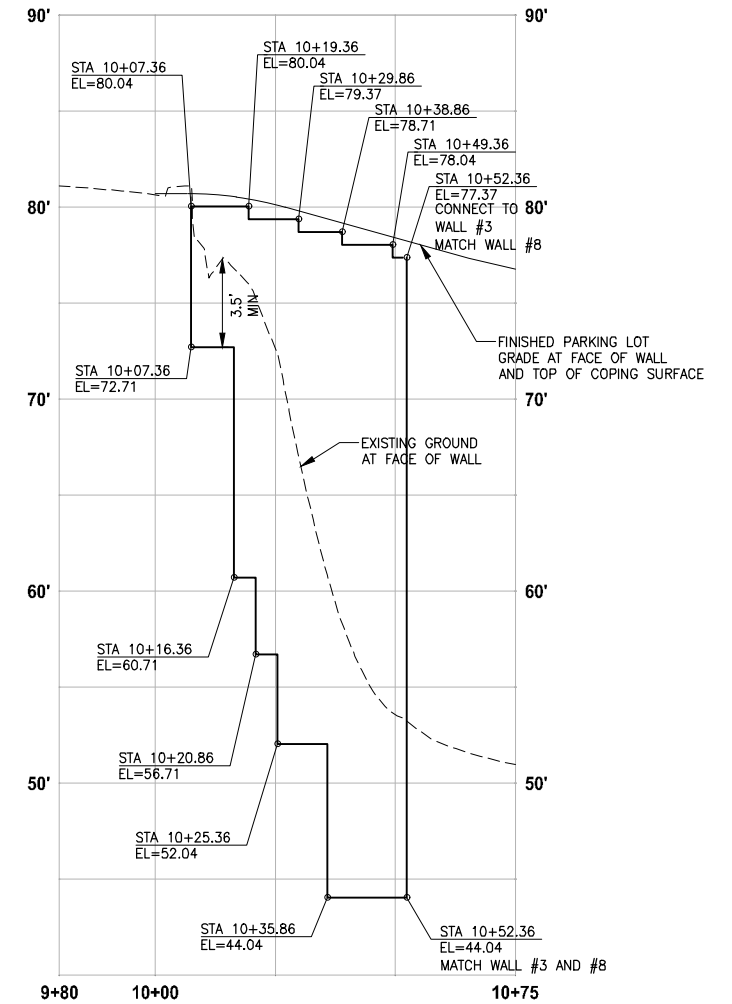
**LEFT STRUCTURAL EARTH WALL
WALL #5 (CUT) B1-LINE**

HORIZ: 1"=20'
VERT: 1"=5'



**STRUCTURAL EARTH WALL
WALL #6 (CUT) B1-LINE**

HORIZ: 1"=20'
VERT: 1"=5'



**LEFT STRUCTURAL EARTH WALL
WALL #7 (FILL) C-LINE**

HORIZ: 1"=20'
VERT: 1"=5'

NOTE:
1. UTILITIES SHOWN ARE APPROXIMATE. CONTRACTOR TO VERIFY LOCATIONS AND DEPTH, AS AUTHORIZED BY THE ENGINEER.

CITY OF SAMMAMISH APPROVAL	
City Engineer _____	Date _____
Community Development _____	Date _____

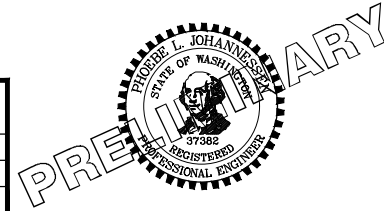
Exhibit 7
SSDP2016-00414
000045

**60% REVISED REVIEW SUBMITTAL
NOT FOR CONSTRUCTION**

PATH: U:\PSO\Projects\Clients\1521-KingCo\564-1521-075-ELST\985\Sec\CA00\Phase 21\T03\DWG\ LAYOUT: WP2 PLOTTED BY: purgebut DATE: Monday, July 10, 2017 11:08:49 AM

REVISIONS	DATE	BY	DESIGNED
			J. JUN
			B. PURGANAN
			P. JOHANNESSEN
			Y. HO

**ONE INCH AT FULL SCALE,
IF NOT, SCALE ACCORDINGLY**
FILE NAME: BL1521075P21T03WP-01
JOB No.: 564-1521-075 P21T03
DATE: OCTOBER 2016



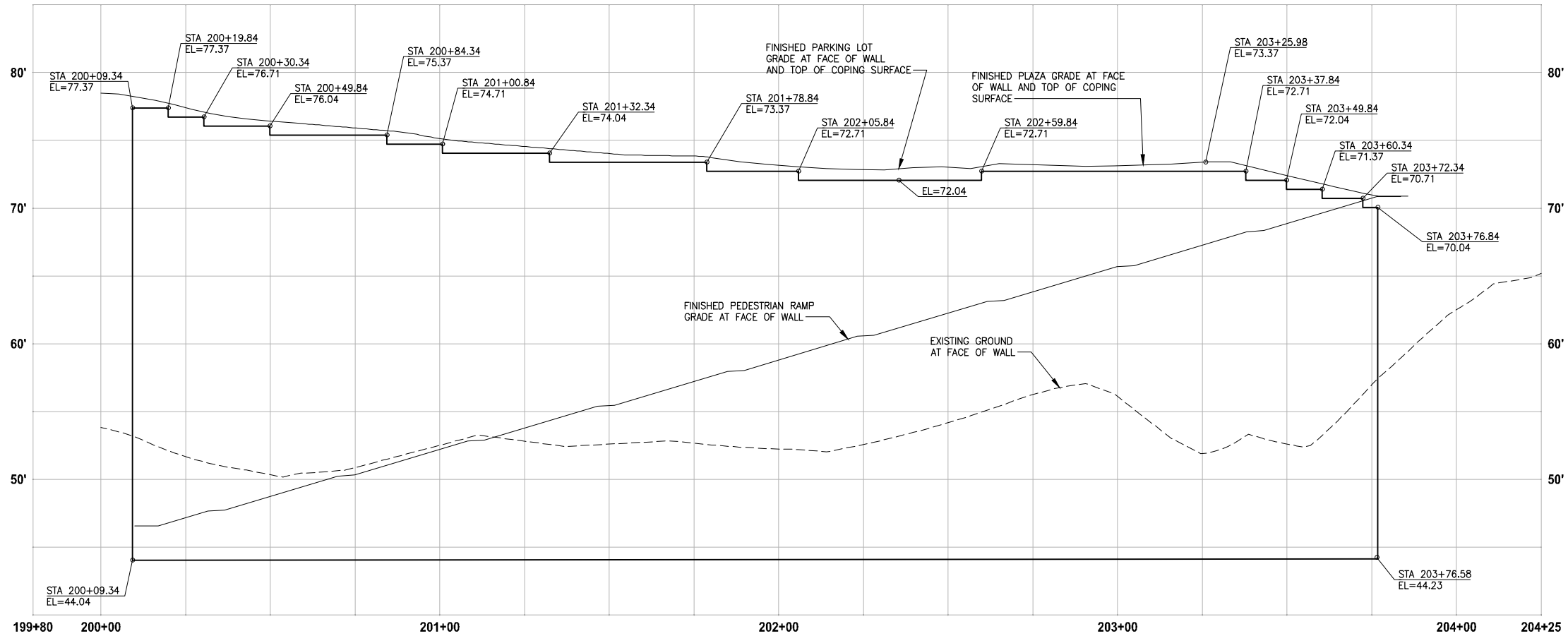
Parametrix
ENGINEERING · PLANNING · ENVIRONMENTAL SCIENCES
719 2ND AVENUE, SUITE 200 | SEATTLE, WA 98104
P 206.394.3700
WWW.PARAMETRIX.COM

PROJECT NAME
**EAST LAKE SAMMAMISH
MASTER PLAN TRAIL
INGLEWOOD HILL ROAD PARKING LOT**
SAMMAMISH, WA

WALL PROFILES

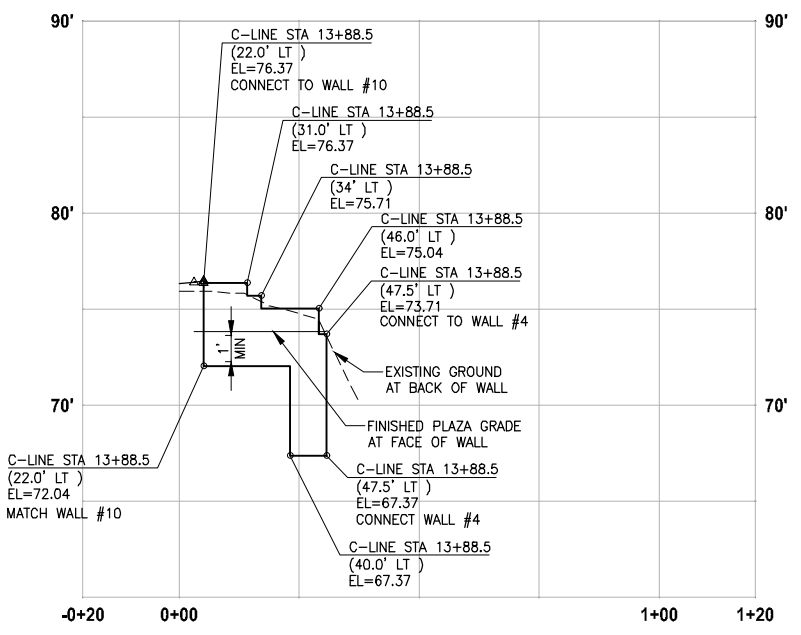
SHEET NO.
16 OF 29
WP2

SEC'S 8, 17 TWP. 24 N., RGE. 06 E, W.M.



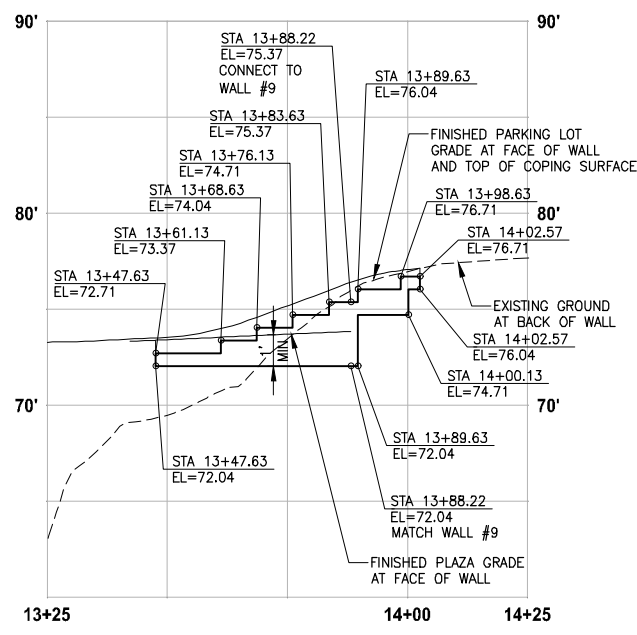
**LEFT STRUCTURAL EARTH WALL
WALL #8 (FILL) B2-LINE**

HORIZ: 1"=20'
VERT: 1"=5'



**STRUCTURAL EARTH WALL
WALL #9 (CUT) C-LINE**

HORIZ: 1"=20'
VERT: 1"=5'



**LEFT STRUCTURAL EARTH WALL
WALL #10 (FILL) C-LINE**

HORIZ: 1"=20'
VERT: 1"=5'

NOTE:
1. UTILITIES SHOWN ARE APPROXIMATE. CONTRACTOR TO VERIFY LOCATIONS AND DEPTH, AS AUTHORIZED BY THE ENGINEER.

CITY OF SAMMAMISH APPROVAL	
City Engineer _____	Date _____
Community Development _____	Date _____

**Exhibit 7
SSDP2016-00414
000046**

**60% REVISED REVIEW SUBMITTAL
NOT FOR CONSTRUCTION**

LAYOUT: WP3 PATH: U:\PSO\Projects\Clients\1521-KingCo\1521-075-ELST\985Secs\CADD\Phase 2\1\T03\DWG\ PLOTTED BY: purgubud DATE: Monday, July 10, 2017 11:10:06 AM

REVISIONS	DATE	BY	DESIGNED
			J. JUN
			B. PURGANAN
			P. JOHANNESSEN
			Y. HO

**ONE INCH AT FULL SCALE,
IF NOT, SCALE ACCORDINGLY**
FILE NAME: BL1521075P21T03WP-01
JOB No.: 554-1521-075 P21T03
DATE: OCTOBER 2016

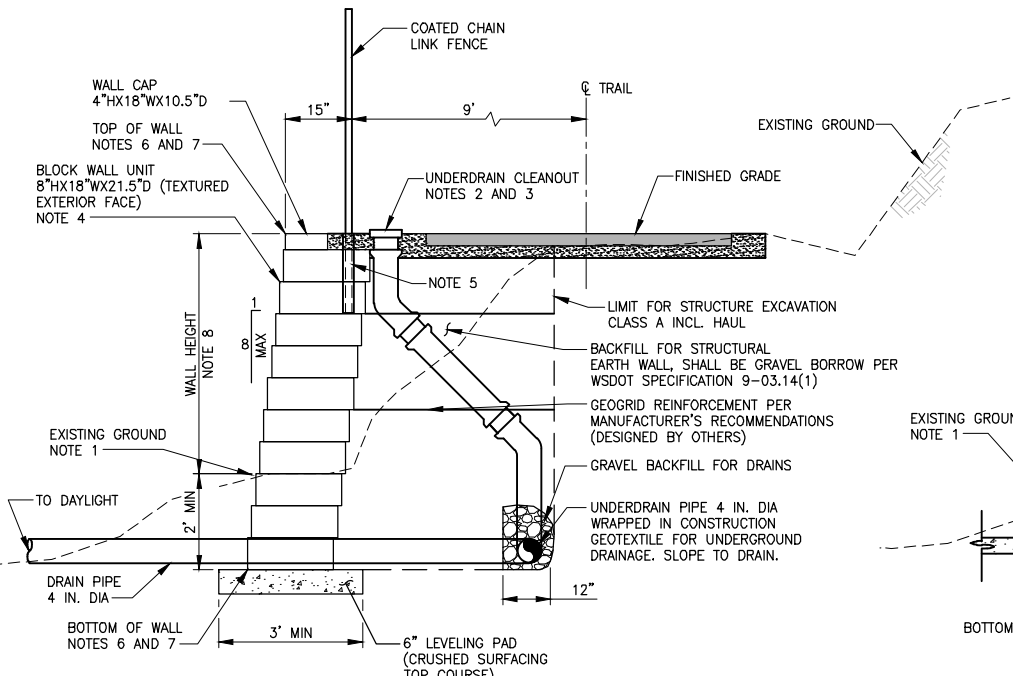


Parametrix
ENGINEERING · PLANNING · ENVIRONMENTAL SCIENCES
719 2ND AVENUE, SUITE 200 | SEATTLE, WA 98104
P 206.394.3700
WWW.PARAMETRIX.COM

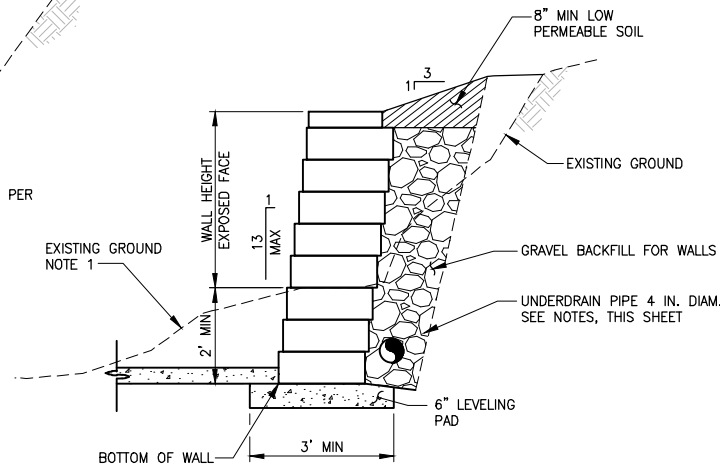
PROJECT NAME
**EAST LAKE SAMMAMISH
MASTER PLAN TRAIL
INGLEWOOD HILL ROAD PARKING LOT**
SAMMAMISH, WA

WALL PROFILES

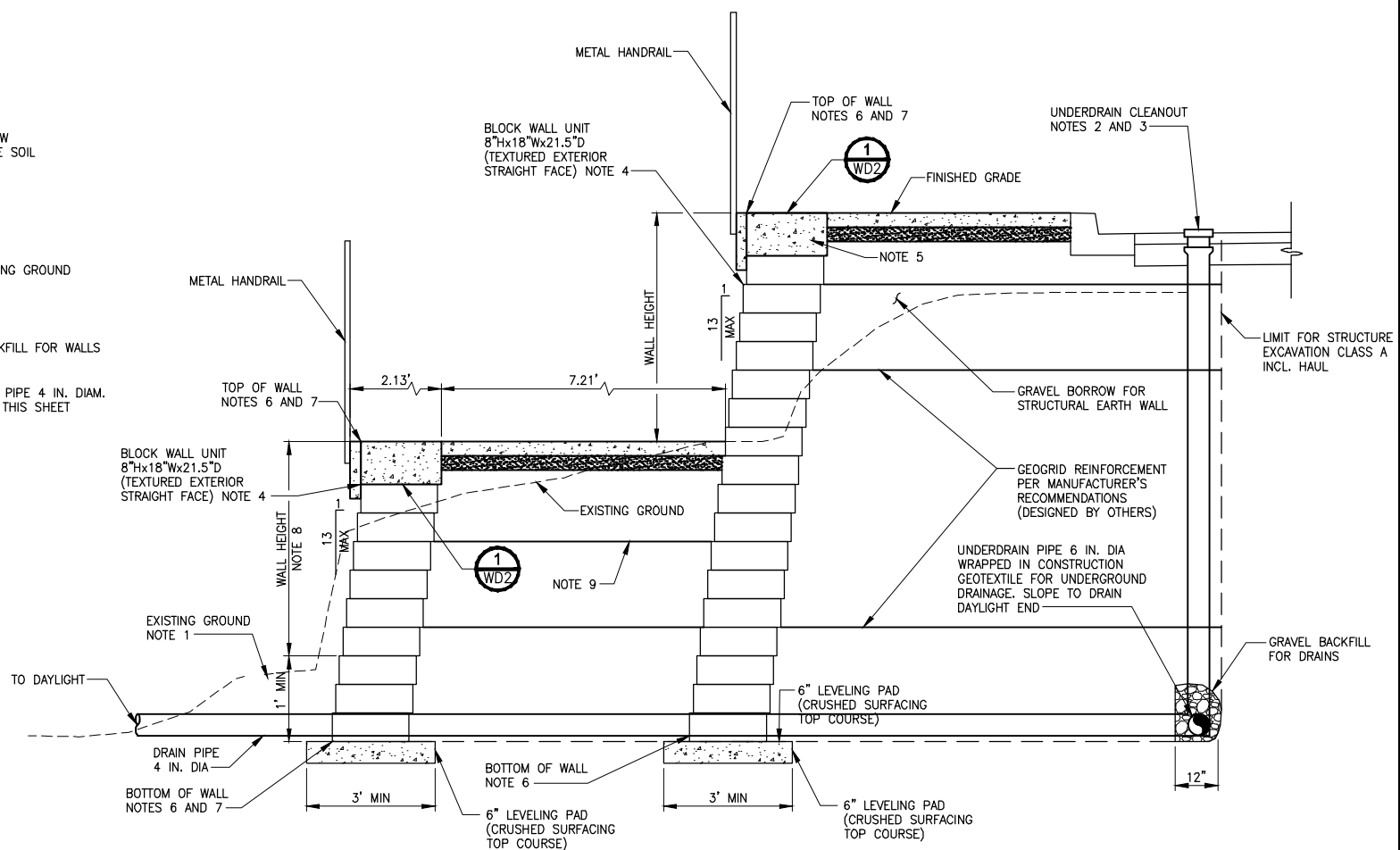
SHEET NO.
17 OF 29
WP3



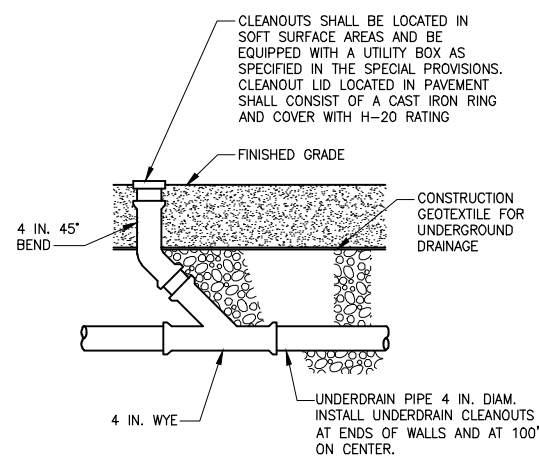
**STRUCTURAL EARTH WALL - FILL WALL
DETAIL 1**
NO SCALE



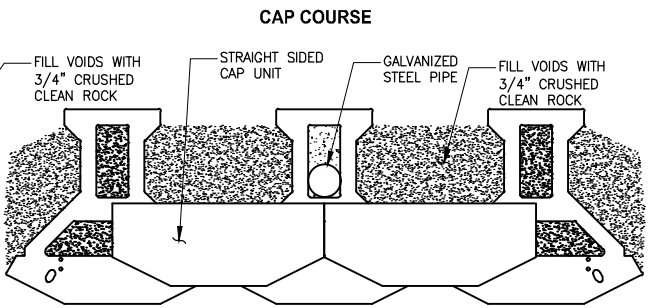
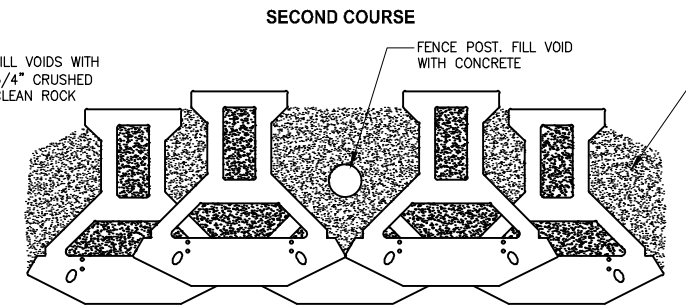
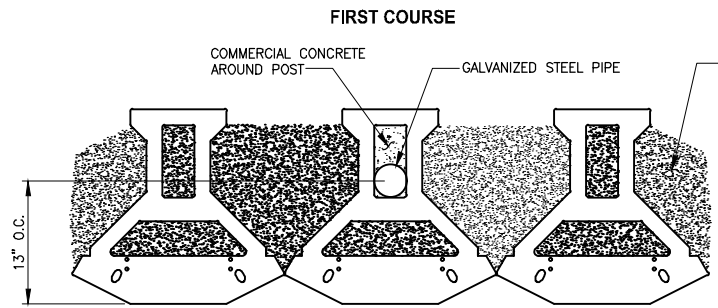
**STRUCTURAL EARTH WALL - CUT WALL
DETAIL 2**
NO SCALE



**STRUCTURAL EARTH WALL - FILL WALL
DETAIL 3**
NO SCALE



**UNDERDRAIN CLEANOUT
DETAIL 4**
NO SCALE



**REAR COURSE POSITIONING
DETAIL 5**
NO SCALE

- NOTES:**
- RESTORE EXISTING GROUND WITH NATIVE SOIL BACKFILL AND SEEDING. SEE WP SHEETS.
 - SEE UNDERDRAIN CLEANOUT DETAIL 4 ON THIS SHEET.
 - UNDERDRAIN CLEANOUT LIDS SHALL BE INSTALLED ALONG THE BACK OF WALL BLOCK AND SHALL NOT BE IN TRAIL HMA PAVEMENT.
 - FILL BLOCK UNITS WITH UNIT DRAINAGE FILL. SEE SPECIAL PROVISIONS FOR WALL DESIGN REQUIREMENTS. ALL CONSTRUCTION MUST CONFORM TO MANUFACTURER'S SPECIFIC REQUIREMENTS.
 - POST SHALL HAVE MIN 24" DEPTH. SEE DETAIL 6 ON THIS SHEET.
 - SEE WP SHEETS FOR TOP AND BOTTOM OF WALL ELEVATIONS.
 - SEE OFFSET DISTANCE ON SHEET WPX FOR OUTSIDE FACE OF CAP BLOCK. BOTTOM OF WALL OFFSET DISTANCE SHALL BE SURVEYED AND STAKED BASED ON WALL HEIGHT SHOWN ON WP SHEETS AND WALL BATTER AS SHOWN IN DETAILS 1, 2 AND 3 ON THIS SHEET.
 - SEE WALL SCHEDULE ON SHEET WPX.
 - ANCHOR GEOGRID REINFORCEMENT BETWEEN BLOCKS PER MANUFACTURER'S REQUIREMENTS.

DESIGN LOAD FOR FILL WALLS

LIVELOAD FOR TRAIL	100 PSF
LIVELOAD FOR DRIVEWAY	250 PSF
DEADLOAD	NONE

CITY OF SAMMAMISH APPROVAL

City Engineer	Date
Community Development	Date

Exhibit 7
SSDP2016-00414
000047

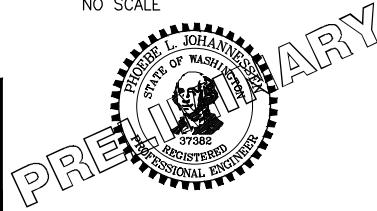
**60% REVISED REVIEW SUBMITTAL
NOT FOR CONSTRUCTION**

PATH: U:\PSO\Projects\Clients\1521-KingCo\554-1521-075-ELST\99Secs\CADD\Phase 21\T03\DWG\ LAYOUT: WD1
 PLOTTED BY: purgaban DATE: Monday, July 10, 2017 11:10:33 AM

REVISIONS	DATE	BY	DESIGNED
			J. JUN
			B. PURGANAN
			P. JOHANNESSEN
			Y. HO

**ONE INCH AT FULL SCALE,
IF NOT, SCALE ACCORDINGLY**

FILE NAME: BL1521075P21T03WD-01
 JOB No: 554-1521-075 P21T03
 DATE: OCTOBER 2016



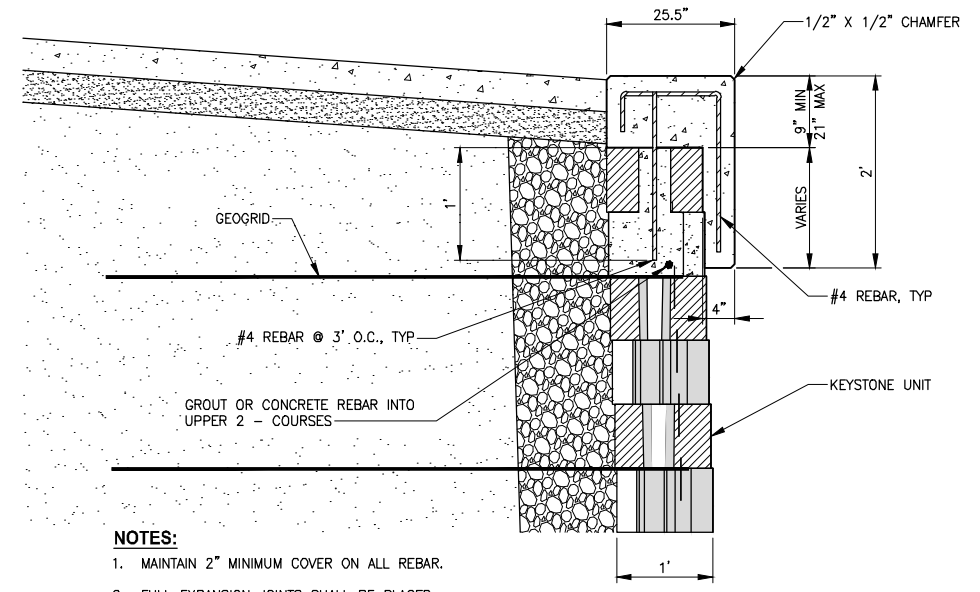
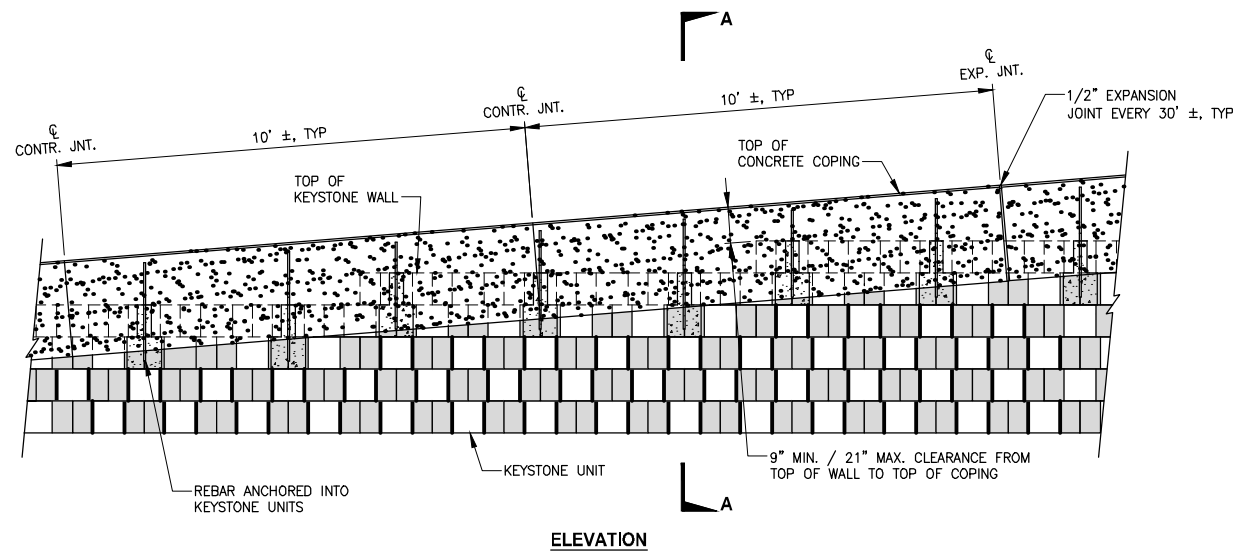
Parametrix
ENGINEERING · PLANNING · ENVIRONMENTAL SCIENCES

719 2ND AVENUE, SUITE 200 | SEATTLE, WA 98104
 P 206.394.3700
 WWW.PARAMETRIX.COM

PROJECT NAME
**EAST LAKE SAMMAMISH
 MASTER PLAN TRAIL
 INGLEWOOD HILL ROAD PARKING LOT**
 SAMMAMISH, WA

**STRUCTURAL EARTH
 WALL DETAILS**

SHEET NO.
18 OF 29
WD1



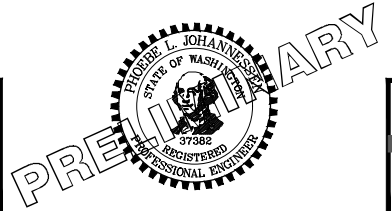
- NOTES:**
1. MAINTAIN 2" MINIMUM COVER ON ALL REBAR.
 2. FULL EXPANSION JOINTS SHALL BE PLACED EVERY 3RD JOINT AND AT ALL WALL RADIUS AND BEND POINTS.
 3. INSURE THAT ALL TOP OF WALL STEPS ARE COMPLETELY COVERED BY OVERHANG OF CONCRETE COPING (3" MIN).

**PARTIAL C.I.P CONCRETE COPING
DETAIL**
NO SCALE

PATH: U:\PSO\Projects\Clients\1521-KingCo\564-1521-075-ELST\985Secs\CA00\Phase 21\T03\DWG\ LAYOUT: WP2 PLOTTED BY: purgubut DATE: Monday, July 10, 2017 11:10:47 AM

REVISIONS	DATE	BY	DESIGNED
			J. JUN
			B. PURGANAN
			P. JOHANNESSEN
			Y. HO

**ONE INCH AT FULL SCALE,
IF NOT, SCALE ACCORDINGLY**
 FILE NAME: BL1521075P21T03WD-01
 JOB No.: 564-1521-075 P21T03
 DATE: OCTOBER 2016



Parametrix
 ENGINEERING · PLANNING · ENVIRONMENTAL SCIENCES
 719 2ND AVENUE, SUITE 200 | SEATTLE, WA 98104
 P 206.394.3700
 WWW.PARAMETRIX.COM

PROJECT NAME
**EAST LAKE SAMMAMISH
MASTER PLAN TRAIL
INGLEWOOD HILL ROAD PARKING LOT**
 SAMMAMISH, WA

**STRUCTURAL EARTH
WALL DETAILS**

SHEET NO.
19 OF 29

WD2

Exhibit 7
SSDP2016-00414
000048
60% REVISED REVIEW SUBMITTAL
NOT FOR CONSTRUCTION

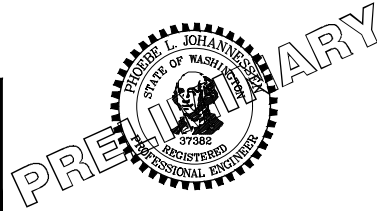
CITY OF SAMMAMISH APPROVAL	
City Engineer	Date
Community Development	Date

TO BE ADDED

PATH: U:\PSO\Projects\Clients\1521-KingCo\554-1521-075-ELST\985Secs\CADD\Phase 21\103\Draw\ PLOTTED BY: purgabut DATE: Monday, July 10, 2017 11:11:18 AM
 LAYOUT: RD1

REVISIONS	DATE	BY	DESIGNED
			J. JUN
			DRAWN B. PURGANAN
			CHECKED P. JOHANNESSEN
			APPROVED Y. HO

**ONE INCH AT FULL SCALE.
 IF NOT, SCALE ACCORDINGLY**
 FILE NAME
 BL1521075P21T03RD-01
 JOB No.
 554-1521-075 P21T03
 DATE
 OCTOBER 2016



Parametrix
 ENGINEERING · PLANNING · ENVIRONMENTAL SCIENCES
 719 2ND AVENUE, SUITE 200 | SEATTLE, WA 98104
 P 206.394.3700
 WWW.PARAMETRIX.COM

PROJECT NAME
**EAST LAKE SAMMAMISH
 MASTER PLAN TRAIL
 INGLEWOOD HILL ROAD PARKING LOT**
 SAMMAMISH, WA

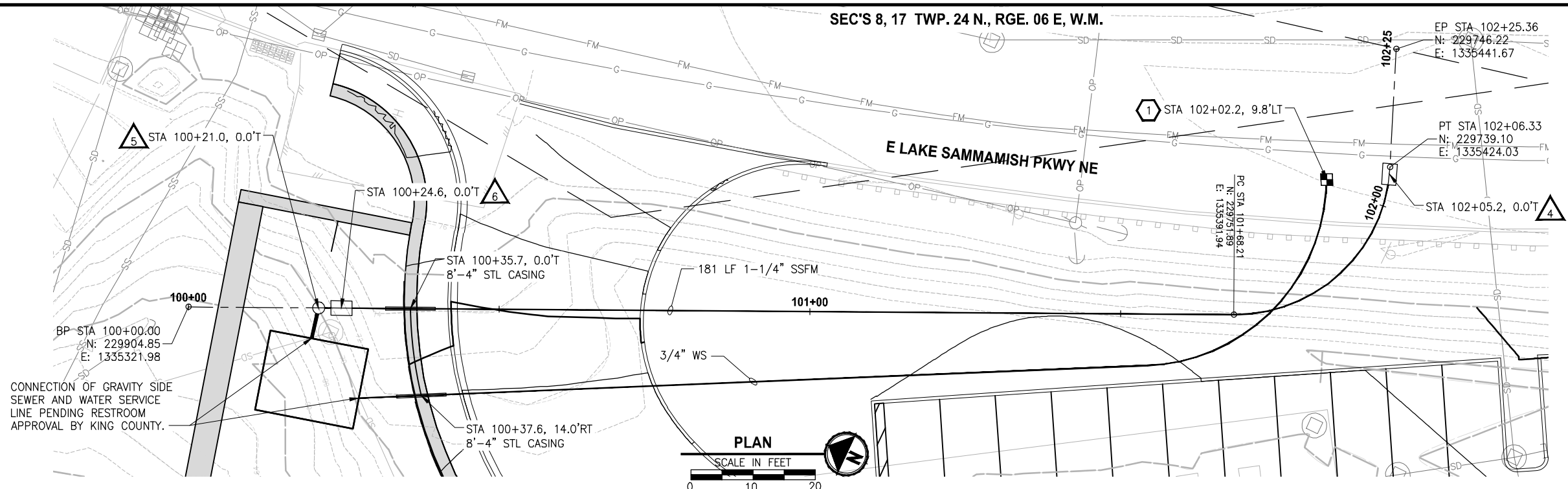
RESTROOM FACILITY DETAIL

SHEET NO.
 20 OF 29
RD1

Exhibit 7
SSDP2016-00414
000049

CITY OF SAMMAMISH APPROVAL	
City Engineer _____	Date _____
Community Development _____	Date _____

60% REVISED REVIEW SUBMITTAL
 NOT FOR CONSTRUCTION

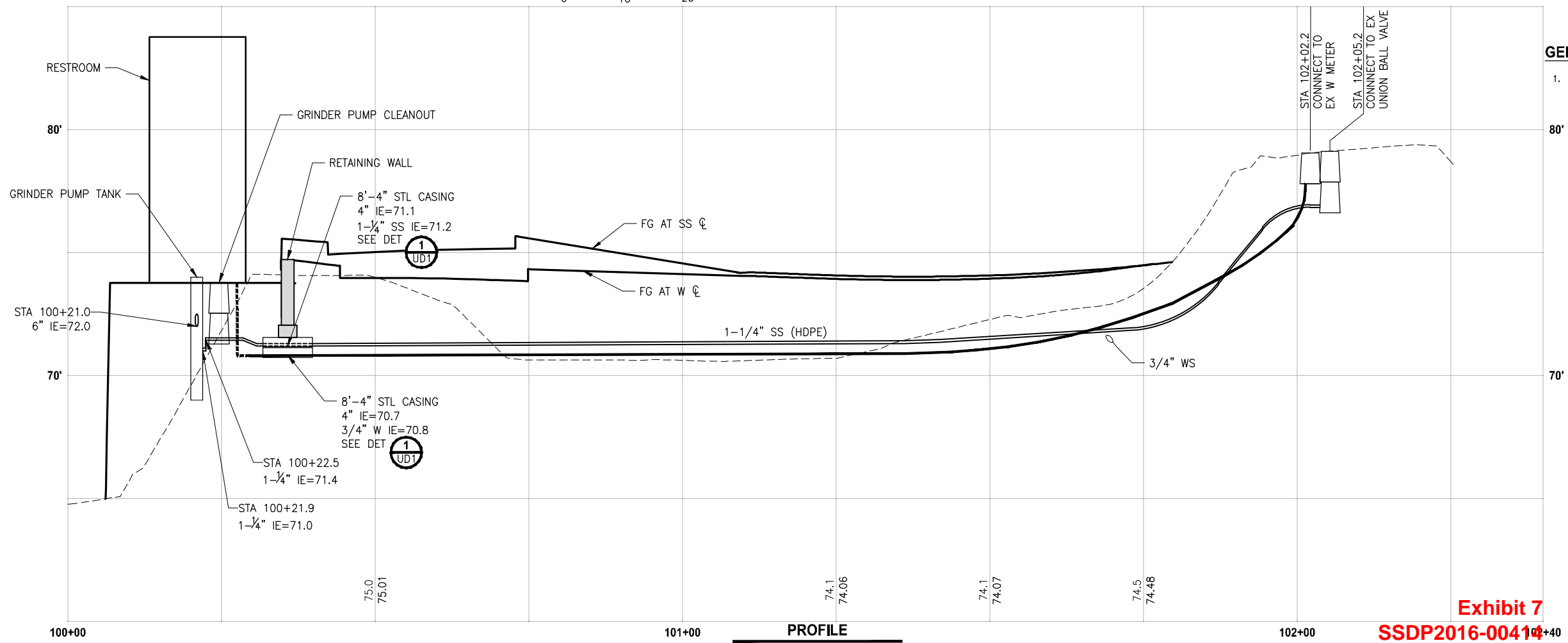
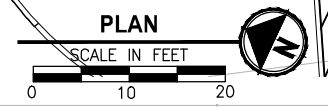


- SEWER NOTES:**
1. PRESSURE PIPE AND FITTINGS SHALL BE 1-1/4" HDPE (SDR 11) PER SPSWD SIDE SEWER REGULATIONS ARTICLE VIII.
 2. ALL HDPE WELDING SHALL BE MADE USING ELECTRO-FUSION.
 3. GRAVITY PIPE AND FITTINGS SHALL BE 6" PVC (C900) PER SPSWD SIDE SEWER REGULATIONS ARTICLE VII.
4. EXISTING COLLECTION VALVE BOX WITH UNION BALL VALVE AND SWING CHECK VALVE. CONNECT TO UNION BALL VALVE PER SPSWD SIDE SEWER REGULATIONS COLLECTION VALVE BOX DETAIL.
5. GRINDER SEWER PUMP SYSTEM PER SPSWD SIDE SEWER REGULATIONS SECTION 8.10 AND 8.11, GRINDER PUMP INSTALLATION DETAIL AND GRINDER PUMP SITE LAYOUT INSTRUCTIONS.
6. GRINDER PUMP CLEANOUT PER SPSWD SIDE SEWER REGULATIONS SECTION 8.09 AND GRINDER PUMP CLEANOUT DETAIL.

- WATER NOTES:**
1. CONNECT TO EXISTING 3/4" WATER METER SETTER PER SPSWD 3/4" AND 1" METER SETTER DETAIL. NEW METER SHALL BE PURCHASED FROM THE DISTRICT. THE DISTRICT SHALL INSTALL THE METER AT THE TIME OF FINAL ACCEPTANCE.

- ELECTRICAL NOTES:**
1. ELECTRICAL DESIGN TO BE SUBMITTED WITH 90% DESIGN SUBMITTAL, PENDING KING COUNTY APPROVAL OF RESTROOM FACILITY.

- GENERAL NOTES:**
1. EXISTING UTILITY LOCATIONS ARE APPROXIMATE. CONTRACTOR SHALL FIELD VERIFY PRIOR TO CONSTRUCTION OF THE WATER AND SEWER SERVICE LINES.



PROFILE
 HORIZ: 1"=10'
 VERT: 1"=2.5'

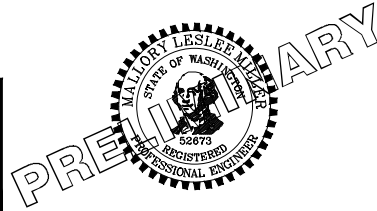
CITY OF SAMMAMISH APPROVAL	
City Engineer _____	Date _____
Community Development _____	Date _____

Exhibit 7
SSDP2016-00411
000050
 60% REVISED REVIEW SUBMITTAL
 NOT FOR CONSTRUCTION

PATH: U:\P50\Projects\Clients\1521-KingCo\554-1521-075-ELST\98Secs\CA000\Phase 21\T03\DWG\ PLOTTED BY: purgabut DATE: Monday, July 10, 2017 11:12:58 AM LAYOUT: UP1

REVISIONS	DATE	BY	DESIGNED
			M. MILLER
			M. MILLER
			P. JOHANNESSEN
			Y. HO

ONE INCH AT FULL SCALE, IF NOT, SCALE ACCORDINGLY
 FILE NAME: BL1521075P21T03UP-01
 JOB No: 554-1521-075 P21T03
 DATE: OCTOBER 2016

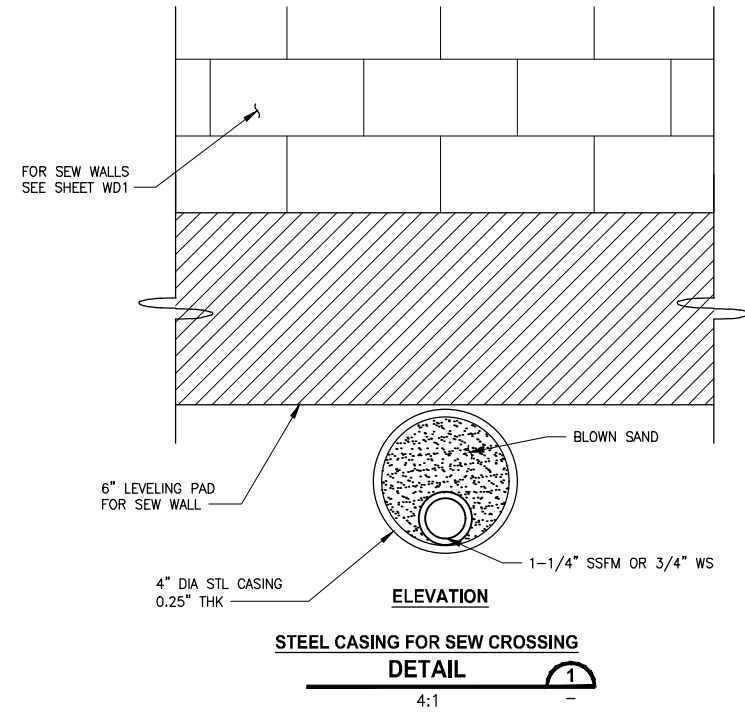


Parametrix
 ENGINEERING · PLANNING · ENVIRONMENTAL SCIENCES
 719 2ND AVENUE, SUITE 200 | SEATTLE, WA 98104
 P 206.394.3700
 WWW.PARAMETRIX.COM

PROJECT NAME
**EAST LAKE SAMMAMISH
 MASTER PLAN TRAIL
 INGLEWOOD HILL ROAD PARKING LOT**
 SAMMAMISH, WA

UTILITY AND ELECTRICAL PLAN

SHEET NO.
 21 OF 29
UP1



PATH: U:\P50\Projects\Clients\1521-KingCo\554-1521-075-ELST\98Secs\CADD\Phase 21\T03\DWG\ PLOTTED BY: purgabut DATE: Monday, July 10, 2017 11:13:18 AM
 LAYOUT: JDI

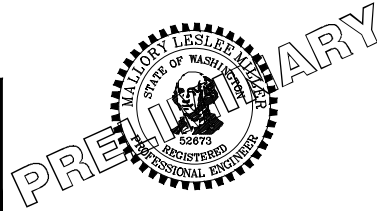
REVISIONS	DATE	BY	DESIGNED
			J. JUN
			DRAWN B. PURGANAN
			CHECKED P. JOHANNESSEN
			APPROVED Y. HO

ONE INCH AT FULL SCALE.
IF NOT, SCALE ACCORDINGLY

FILE NAME
BL1521075P21T03UD-01

JOB No.
554-1521-075 P21T03

DATE
OCTOBER 2016



Parametrix
ENGINEERING · PLANNING · ENVIRONMENTAL SCIENCES

719 2ND AVENUE, SUITE 200 | SEATTLE, WA 98104
P 206.394.3700
WWW.PARAMETRIX.COM

PROJECT NAME
**EAST LAKE SAMMAMISH
MASTER PLAN TRAIL
INGLEWOOD HILL ROAD PARKING LOT**
SAMMAMISH, WA

UTILITY AND ELECTRICAL DETAILS

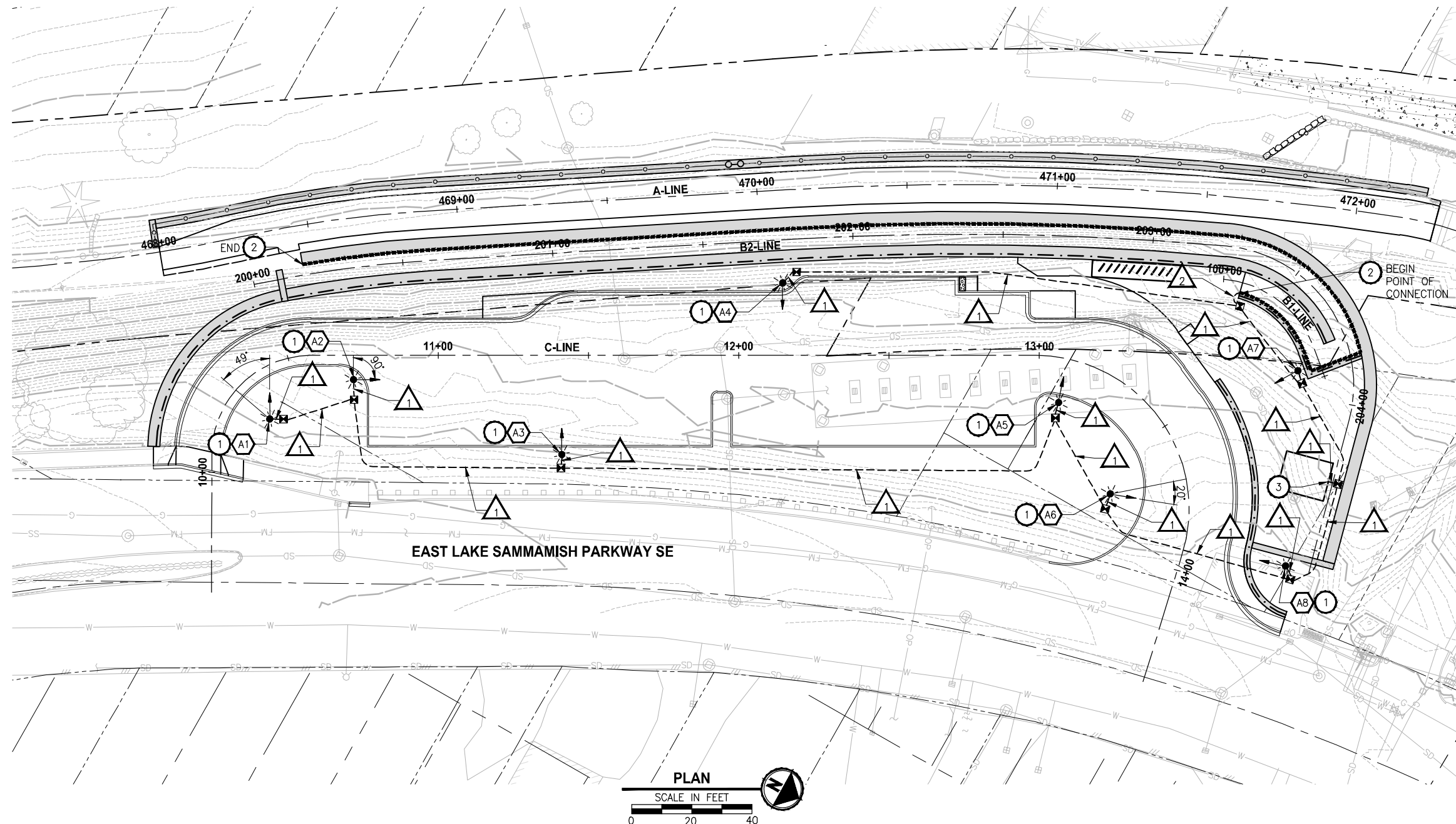
SHEET NO.
22 OF 29

UD1

Exhibit 7
SSDP2016-00414
000051
60% REVISED REVIEW SUBMITTAL
NOT FOR CONSTRUCTION

CITY OF SAMMAMISH APPROVAL	
City Engineer _____	Date _____
Community Development _____	Date _____

PATH: U:\P50\Projects\Clients\1521-075-ELST\995scs\CADD\Phase 2\103\Drawg\ PLOTTED BY: purgebut DATE: Monday, July 10, 2017 11:14:48 AM LAYOUT: IL1



- ILLUMINATION NOTES:**
1. INSTALL DECORATIVE LIGHT STANDARD, DIRECT BURY, PER LUMINAIRE SCHEDULE. INSTALL LUMINAIRE ON LIGHT STANDARD PER LUMINAIRE SCHEDULE. INSTALL TYPE 1 JUNCTION BOX WITHIN 5 FT OF LIGHT STANDARD, PER WSDOT STD PLAN J-40.10-04.
 2. FURNISH AND INSTALL ASYMMETRIC LEDPOD 50 LIGHTS AND CONTROLS IN GRIPPING RAIL OF METAL HANDRAIL AT LOCATION SHOWN. INSTALL LIGHTS AT 8 FT SPACING. SEE SHEET IL2 FOR DETAILS.
 3. PROPOSED POWER SOURCE FOR ILLUMINATION TO BE 15A BREAKER IN BATHROOM ELECTRICAL PANEL. INCLUDE PHOTOCELL AT PANEL. EXACT LOCATION AND REQUIREMENTS TO BE DETERMINED PRIOR TO 90% SUBMITTAL.

- GENERAL NOTES:**
1. LOCATIONS OF CONDUIT RUNS SHOWN ON PLANS ARE SCHEMATIC AND THE ENGINEER WILL CONFIRM EXACT LOCATIONS.
 2. ALL EQUIPMENT AND CONDUIT SHALL BE GROUNDED PER NEC REQUIREMENTS.
 3. LOCATION OF EXISTING UTILITIES PRIOR TO CONSTRUCTION AND PROTECTION THROUGHOUT CONSTRUCTION SHALL BE THE RESPONSIBILITY OF THE CONTRACTOR. CONFLICTS ARE TO BE BROUGHT TO THE ATTENTION OF THE ENGINEER FOR RESOLUTION.

- LEGEND:**
- DECORATIVE LIGHT STANDARD W/ OPTIC ORIENTATION
 - TYPE 1 JUNCTION BOX
 - CONDUIT WITH ILLUMINATION CONDUCTORS
 - GRIPPING RAIL LIGHTING
 - LUMINAIRE ID
 - CONDUIT RUN ID

LUMINAIRE SCHEDULE									
LUMINAIRE ID	CIRCUIT	CENTERLINE	STATION	OFFSET	FIXTURE TYPE	POLE HEIGHT	POLE/BASE TYPE	FOUNDATION	OPTIC ORIENTATION (3)
A1	A	C-LINE	10+29	14.8' RT	(1A)	15'	(2)	DIRECT BURY	49°
A2	A	C-LINE	10+72	8.1' RT	(1B)	15'	(2)	DIRECT BURY	90°
A3	A	C-LINE	11+41	33.0' RT	(1B)	15'	(2)	DIRECT BURY	0°
A4	A	C-LINE	12+15	24.2' LT	(1A)	15'	(2)	DIRECT BURY	0°
A5	A	C-LINE	13+10	14.9' RT	(1B)	15'	(2)	DIRECT BURY	0°
A6	A	C-LINE	13+69	25.8' RT	(1C)	15'	(2)	DIRECT BURY	20°
A7	A	C-LINE	13+54	47.5' LT	(1C)	15'	(2)	DIRECT BURY	0°
A8	A	C-LINE	13+91	34.3' LT	(1C)	15'	(2)	DIRECT BURY	0°

- LUMINAIRE SCHEDULE NOTES:**
1. ARCHITECTURAL AREA LIGHTING, LARGENT MICROCORE-SLVT
 A. SVLT-T2-56LED-3K-700-BL
 B. SVLT-T4-56LED-3K-700-BL
 C. SVLT-T2-56LED-3K-450-BL
 2. CONCRETE POLE, DIRECT BURY. STRESSCRETE GROUP MODEL WASHINGTON KWC-15'-E-11-DB-XXX-XX/XX-AG. DIRECT BURY CONCRETE POLE PER MANUFACTURER'S RECOMMENDATIONS. BACKFILL WITH NATIVE BACKFILL. INSTALL CENTER OF CONCRETE POLE A MINIMUM OF 3 FT BEHIND FACE OF CURB WHERE APPLICABLE.
 3. OPTIC ORIENTATION IS RELATIVE TO THE C-LINE. 0° IS AIMED DIRECTLY AT C-LINE. ORIENTATION MEASURED CLOCKWISE ABOUT THE CENTER OF THE POLE.

CONDUIT / WIRE SCHEDULE			
RUN	CONDUIT SIZE	CONDUIT TYPE	CONDUCTORS
1	2"	PVC SCH 80	2-#8, 1-#8 GROUND
2	1.5"	RIGID METAL	LEDPOD WIRE

Exhibit 7
SSDP2016-00414
000052
60% REVISED REVIEW SUBMITTAL
NOT FOR CONSTRUCTION

CITY OF SAMMAMISH APPROVAL	
City Engineer _____	Date _____
Community Development _____	Date _____

REVISIONS	DATE	BY	DESIGNED
1			M. KENDALL
			M. KENDALL
			CHECKED
			APPROVED

ONE INCH AT FULL SCALE, IF NOT, SCALE ACCORDINGLY
 FILE NAME: BL1521075P21T03IL-01
 JOB No.: 524-1521-075 P21T03
 DATE: OCTOBER 2016

PRELIMINARY

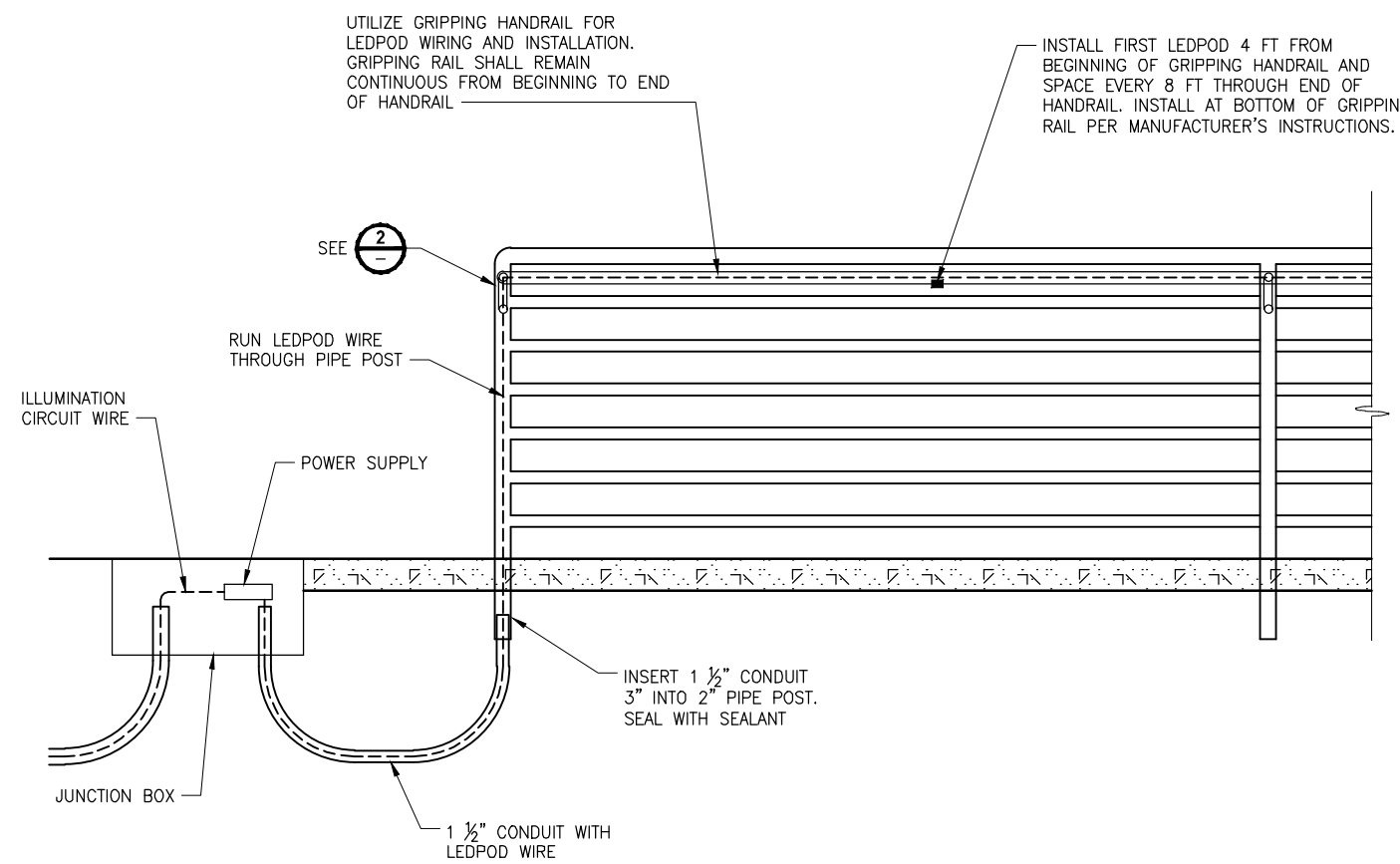
Parametrix
 ENGINEERING · PLANNING · ENVIRONMENTAL SCIENCES
 719 2ND AVENUE, SUITE 200 | SEATTLE, WA 98104
 P 206.394.3700
 WWW.PARAMETRIX.COM

PROJECT NAME
EAST LAKE SAMMAMISH MASTER PLAN TRAIL INGLEWOOD HILL ROAD PARKING LOT
 SAMMAMISH, WA

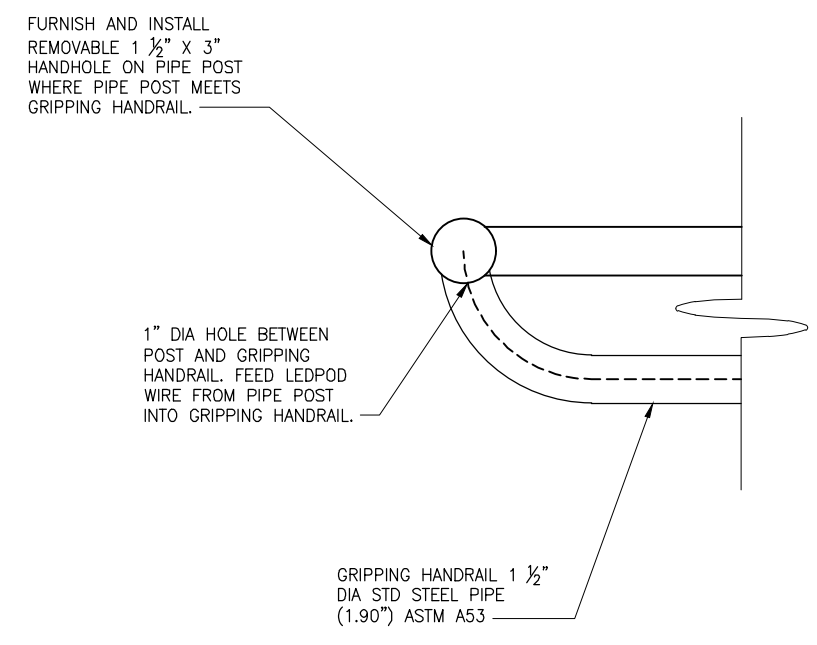
ILLUMINATION PLAN

SHEET NO.
 23 OF 29
IL1

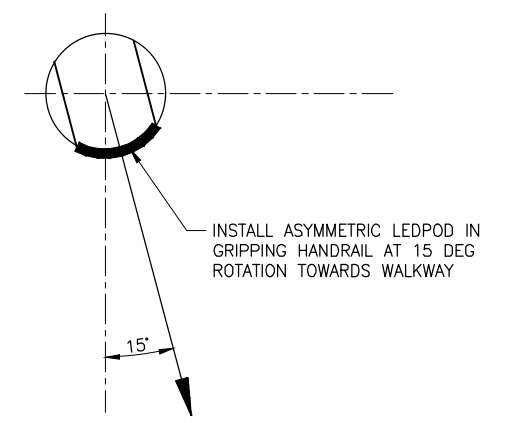
LAYOUT: IL2
 PATH: U:\PSD\Projects\Clients\1521-KingCo\554-1521-076-ELST\995\SCS\CADD\Phase 2\T03\DWG\
 PLOTTED BY: purgabut DATE: Monday, July 10, 2017 11:16:25 AM



LEDPOD WIRING GROUND TO RAIL CONNECTION
DETAIL 1
 NO SCALE



LEDPOD GRIPPING HANDRAIL CONNECTION POINT
DETAIL 2
 NO SCALE



LEDPOD GRIPPING HANDRAIL INSTALLATION
DETAIL 2
 NO SCALE

PRELIMINARY

REVISIONS	DATE	BY	DESIGNED
			M. KENDALL
			DRAWN
			M. KENDALL
			CHECKED
			APPROVED

ONE INCH AT FULL SCALE.
 IF NOT, SCALE ACCORDINGLY

FILE NAME
 BL1521075P21T03IL-01

JOB No.
 554-1521-075 P21T03

DATE
 OCTOBER 2016

Parametrix
 ENGINEERING · PLANNING · ENVIRONMENTAL SCIENCES

719 2ND AVENUE, SUITE 200 | SEATTLE, WA 98104
 P 206.394.3700
 WWW.PARAMETRIX.COM

PROJECT NAME
**EAST LAKE SAMMAMISH
 MASTER PLAN TRAIL
 INGLEWOOD HILL ROAD PARKING LOT**
 SAMMAMISH, WA

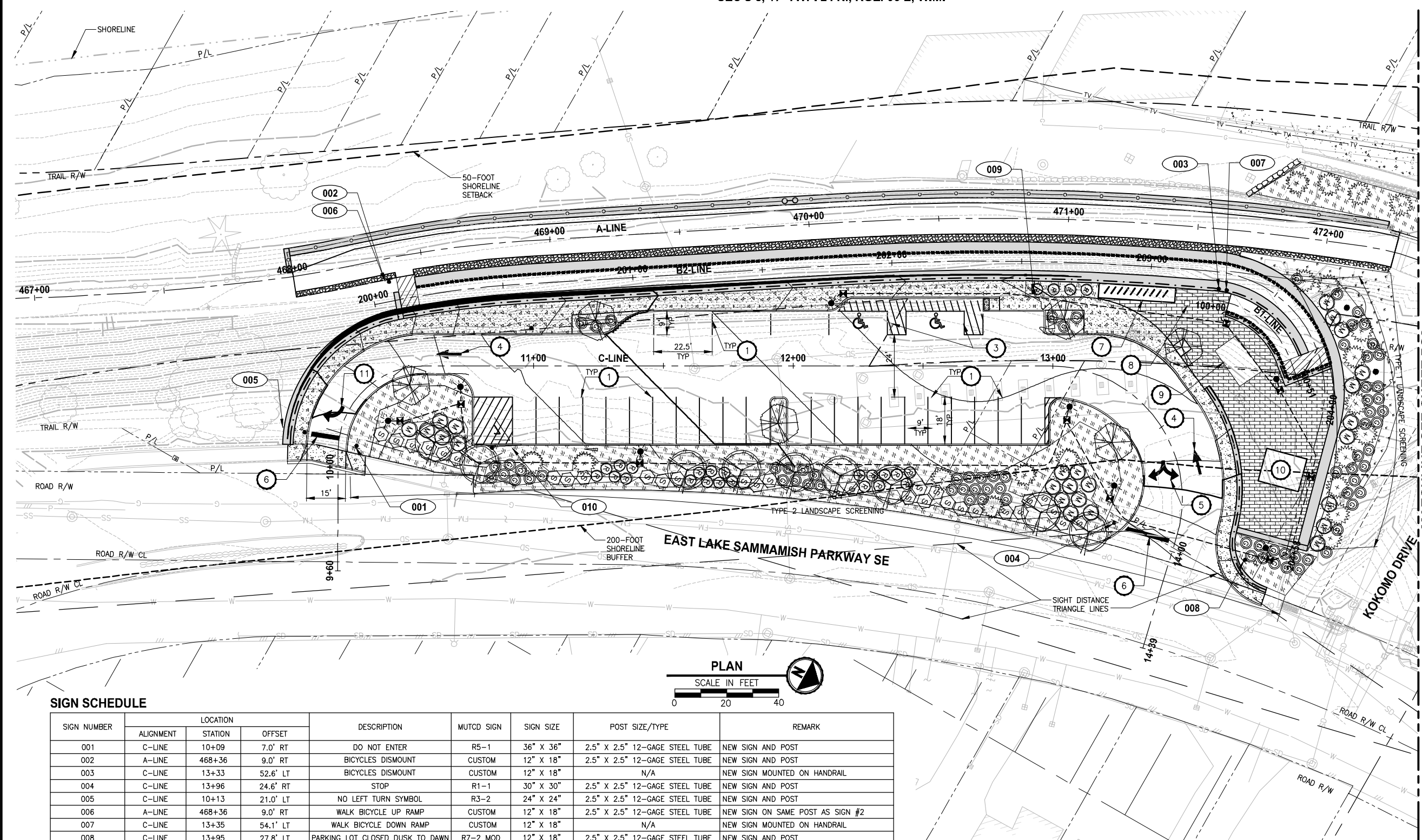
ILLUMINATION DETAILS

SHEET NO.
 24 OF 29

IL2

Exhibit 7
SSDP2016-00414
000053
60% REVISED REVIEW SUBMITTAL
NOT FOR CONSTRUCTION

CITY OF SAMMAMISH APPROVAL	
City Engineer _____	Date _____
Community Development _____	Date _____



PAVEMENT MARKING AND SIGNING CONSTRUCTION NOTES:

- 1 WHITE PAINT LINE PER WSDOT STD PLAN M-17.10-02.
- 2 YELLOW PAINT LINE PER WSDO STD PLAN M-17.10-02.
- 3 PLASTIC ACCESS PARKING SPACE SYMBOL STANDARD PER WSDOT STD PLAN M-24.60-04.
- 4 PLASTIC TRAFFIC ARROW TYPE 1S PER WSDOT STD PLAN M-24.40-02.
- 5 PLASTIC TRAFFIC ARROW TYPE 4S PER WSDOT STD PLAN M-24.40-02.
- 6 STOP LINE PER WSDOT STD PLAN M-24.60-04.
- 7 SHELTERED BIKE PARKING.
- 8 KIOSK CONCRETE PAD.
- 9 SHELTER.
- 10 RESTROOM.
- 11 PLASTIC TRAFFIC ARROW TYPE 2SR PER WSDOT STD PLAN M-24.40-02.

LEGEND:

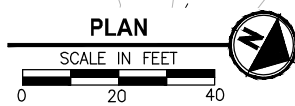
- X SIGN, SEE SIGN SCHEDULE ON THIS SHEET.
- ☀ DECORATIVE LIGHT STANDARD

PLANT LEGEND:

- M WAX MYRTLE SHRUB
- ⊙ TALL OREGON GRAPE SHRUB
- ⬠ SNOWBERRY SHRUB
- ⊙ RED FLOWERING CURRANT SHRUB
- ⊙ WESTERN RED CEDAR TREE
- ⊙ PARKWAY MAPLE
- ⊙ BIG-LEAF MAPLE
- ⊙ JAPANESE ZELKOVA
- ⊙ LOW GROUNDCOVER PLANTING, SEE SHEET LD1 FOR INFORMATION.

GENERAL NOTES:

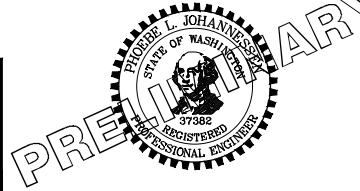
1. SEE PLANT LISTS AND DETAILS ON SHEET LD1.
2. FINAL DISPOSITION OF THE EXISTING SAND FILTER VAULT HAS NOT BEEN DETERMINED. WORK ON THAT VAULT SHOWN IN THIS PLAN SET MAY OR MAY NOT BE REQUIRED DEPENDING ON THE OUTCOME OF FUTURE COORDINATION WITH THE CITY.



SIGN SCHEDULE

SIGN NUMBER	LOCATION			DESCRIPTION	MUTCD SIGN	SIGN SIZE	POST SIZE/TYPE	REMARK
	ALIGNMENT	STATION	OFFSET					
001	C-LINE	10+09	7.0' RT	DO NOT ENTER	R5-1	36" X 36"	2.5" X 2.5" 12-GAGE STEEL TUBE	NEW SIGN AND POST
002	A-LINE	468+36	9.0' RT	BICYCLES DISMOUNT	CUSTOM	12" X 18"	2.5" X 2.5" 12-GAGE STEEL TUBE	NEW SIGN AND POST
003	C-LINE	13+33	52.6' LT	BICYCLES DISMOUNT	CUSTOM	12" X 18"	N/A	NEW SIGN MOUNTED ON HANDRAIL
004	C-LINE	13+96	24.6' RT	STOP	R1-1	30" X 30"	2.5" X 2.5" 12-GAGE STEEL TUBE	NEW SIGN AND POST
005	C-LINE	10+13	21.0' LT	NO LEFT TURN SYMBOL	R3-2	24" X 24"	2.5" X 2.5" 12-GAGE STEEL TUBE	NEW SIGN AND POST
006	A-LINE	468+36	9.0' RT	WALK BICYCLE UP RAMP	CUSTOM	12" X 18"	2.5" X 2.5" 12-GAGE STEEL TUBE	NEW SIGN ON SAME POST AS SIGN #2
007	C-LINE	13+35	54.1' LT	WALK BICYCLE DOWN RAMP	CUSTOM	12" X 18"	N/A	NEW SIGN MOUNTED ON HANDRAIL
008	C-LINE	13+95	27.8' LT	PARKING LOT CLOSED DUSK TO DAWN	R7-2 MOD	12" X 18"	2.5" X 2.5" 12-GAGE STEEL TUBE	NEW SIGN AND POST
009	C-LINE	12+92	28.5' LT	PARKING LOT CLOSED DUSK TO DAWN	R7-2 MOD	12" X 18"	2.5" X 2.5" 12-GAGE STEEL TUBE	NEW SIGN AND POST
010	C-LINE	10+40	32.5' RT	NO PARKING TURN AROUND ZONE	R7-1 MOD	12" X 18"	2.5" X 2.5" 12-GAGE STEEL TUBE	NEW SIGN AND POST

STATE OF WASHINGTON LICENSED LANDSCAPE ARCHITECT
 JENS SWENSON
 LICENSE NO. 656
 EXPIRES ON _____



ONE INCH AT FULL SCALE, IF NOT, SCALE ACCORDINGLY
 FILE NAME: BL1521075P21T03PS-01
 JOB No.: 534-1521-075 P21T03
 DATE: OCTOBER 2016

REVISIONS	DATE	BY	DESIGNED	CHECKED	APPROVED
			J. JUN / J. SWENSON	P. JOHANNESSEN	Y. HO
			B. PURGANAN		

Parametrix
 ENGINEERING · PLANNING · ENVIRONMENTAL SCIENCES
 719 2ND AVENUE, SUITE 200 | SEATTLE, WA 98104
 P 206.394.3700
 WWW.PARAMETRIX.COM

PROJECT NAME
EAST LAKE SAMMAMISH MASTER PLAN TRAIL INGLEWOOD HILL ROAD PARKING LOT
 SAMMAMISH, WA

PAVEMENT MARKING, SIGNING, AND LANDSCAPE PLAN

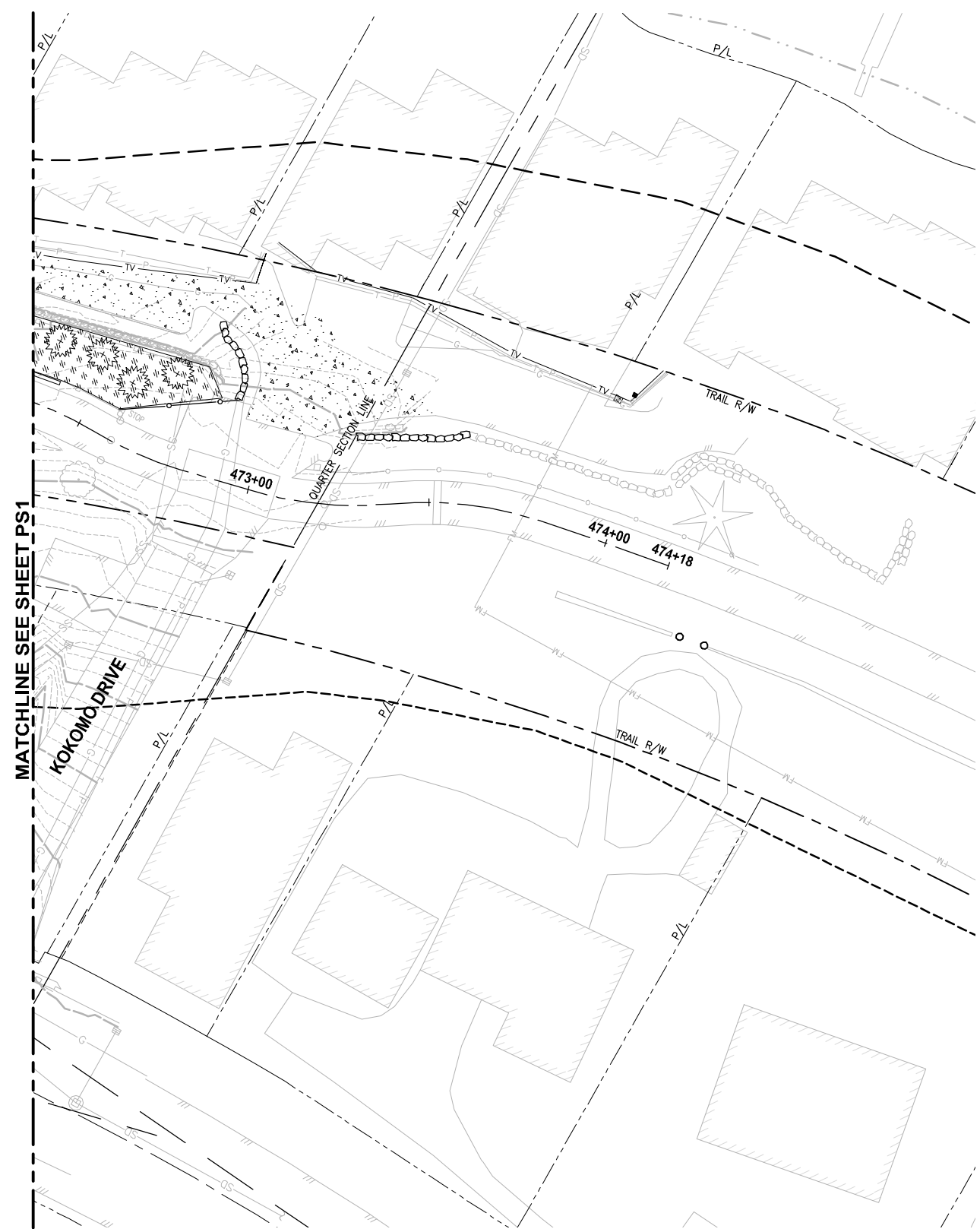
SHEET NO. 25 OF 29
PS1

Exhibit 7
SSDP2016-00414
000054
60% REVISED REVIEW SUBMITTAL
NOT FOR CONSTRUCTION

CITY OF SAMMAMISH APPROVAL

City Engineer _____	Date _____
Community Development _____	Date _____

PLOTTED BY: purgaban DATE: Monday, July 10, 2017 11:17:30 AM
 PATH: U:\PSO\Projects\Clients\1521-075-ELST\985Secs\CADD\Phase 21\T03.Dwg
 LAYOUT: PSI



PAVEMENT MARKING AND SIGNING CONSTRUCTION NOTES:

- 1 WHITE PAINT LINE PER WSDOT STD PLAN M-17.10-02.
- 2 YELLOW PAINT LINE PER WSDO STD PLAN M-17.10-02.
- 3 PLASTIC ACCESS PARKING SPACE SYMBOL STANDARD PER WSDOT STD PLAN M-24.60-04.
- 4 PLASTIC TRAFFIC ARROW TYPE 1S PER WSDOT STD PLAN M-24.40-02.
- 5 PLASTIC TRAFFIC ARROW TYPE 4S PER WSDOT STD PLAN M-24.40-02.
- 6 STOP LINE PER WSDOT STD PLAN M-24.60-04.
- 7 SHELTERED BIKE PARKING.
- 8 KIOSK CONCRETE PAD.
- 9 SHELTER.
- 10 RESTROOM.
- 11 PLASTIC TRAFFIC ARROW TYPE 2SR PER WSDOT STD PLAN M-24.40-02.

LEGEND:

- X SIGN, SEE SIGN SCHEDULE ON THIS SHEET.
- ☀ DECORATIVE LIGHT STANDARD

PLANT LEGEND:

- M WAX MYRTLE SHRUB
- ⊙ TALL OREGON GRAPE SHRUB
- ⬠ SNOWBERRY SHRUB
- R RED FLOWERING CURRANT SHRUB
- * WESTERN RED CEDAR TREE
- ⊗ PARKWAY MAPLE
- BIG-LEAF MAPLE
- ⊗ JAPANESE ZELKOVA
- ▨ LOW GROUNDCOVER PLANTING, SEE SHEET LD1 FOR INFORMATION.

GENERAL NOTES:

1. SEE PLANT LISTS AND DETAILS ON SHEET LD1.
2. FINAL DISPOSITION OF THE EXISTING SAND FILTER VAULT HAS NOT BEEN DETERMINED. WORK ON THAT VAULT SHOWN IN THIS PLAN SET MAY OR MAY NOT BE REQUIRED DEPENDING ON THE OUTCOME OF FUTURE COORDINATION WITH THE CITY.

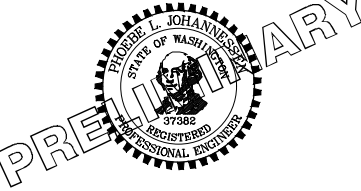
CITY OF SAMMAMISH APPROVAL	
City Engineer _____	Date _____
Community Development _____	Date _____

Exhibit 7
SSDP2016-00414
000055

60% REVISED REVIEW SUBMITTAL
NOT FOR CONSTRUCTION

STATE OF WASHINGTON
LICENSED
LANDSCAPE ARCHITECT

JENS SWENSON
LICENSE NO. 656
EXPIRES ON _____



ONE INCH AT FULL SCALE.
IF NOT, SCALE ACCORDINGLY
FILE NAME
BL1521075P21T03PS-01
JOB No.
554-1521-075 P21T03
DATE
OCTOBER 2016

REVISIONS	DATE	BY	DESIGNED
			J. JUN / J. SWENSON
			B. PURGANAN
			P. JOHANNESSEN
			Y. HO

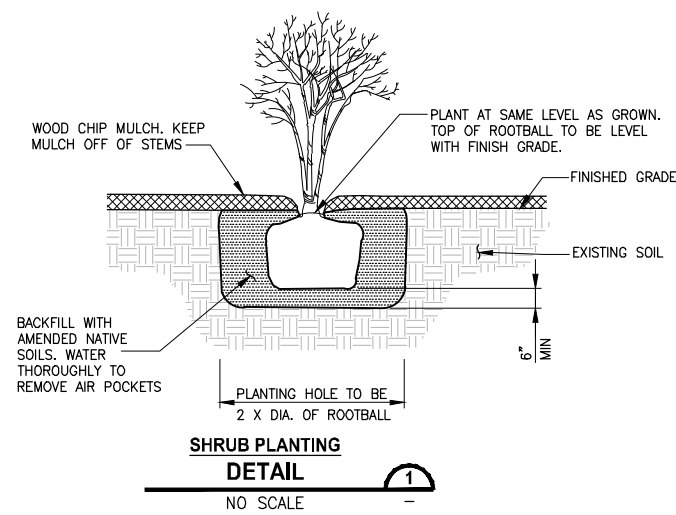
Parametrix
ENGINEERING · PLANNING · ENVIRONMENTAL SCIENCES
719 2ND AVENUE, SUITE 200 | SEATTLE, WA 98104
P 206.394.3700
WWW.PARAMETRIX.COM

PROJECT NAME
**EAST LAKE SAMMAMISH
MASTER PLAN TRAIL
INGLEWOOD HILL ROAD PARKING LOT**
SAMMAMISH, WA

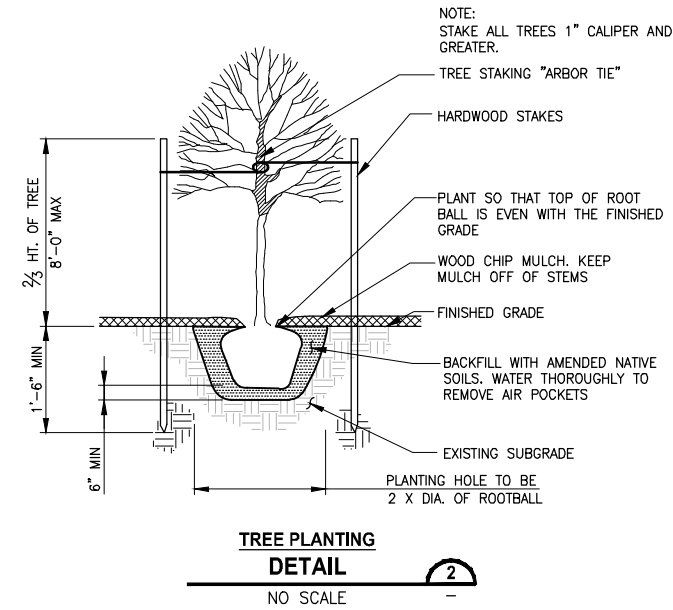
**PAVEMENT MARKING, SIGNING, AND
LANDSCAPE PLAN**

SHEET NO.
26 OF 29
PS2

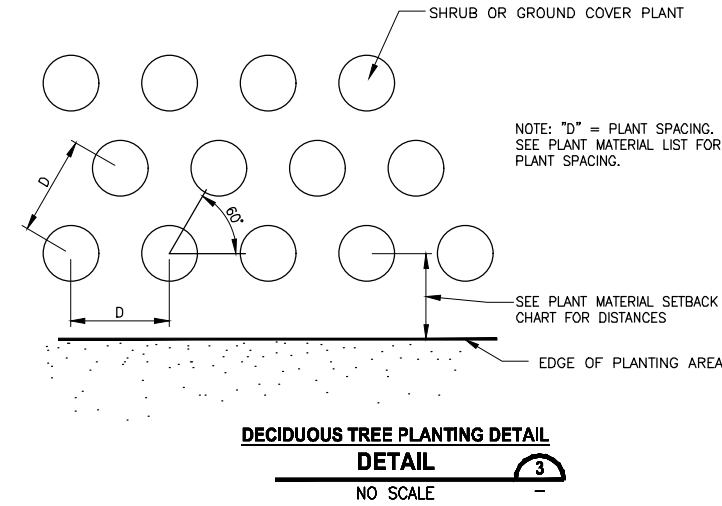
LAYOUT: PS2 PATH: U:\PSO\Projects\Clients\1521-KingCo\554-1521-075-ELST\99Secs\CAD00\Phase 21\T03\DWG\ PLOTTED BY: purgabut DATE: Monday, July 10, 2017 11:17:49 AM



SHRUB PLANTING DETAIL
NO SCALE



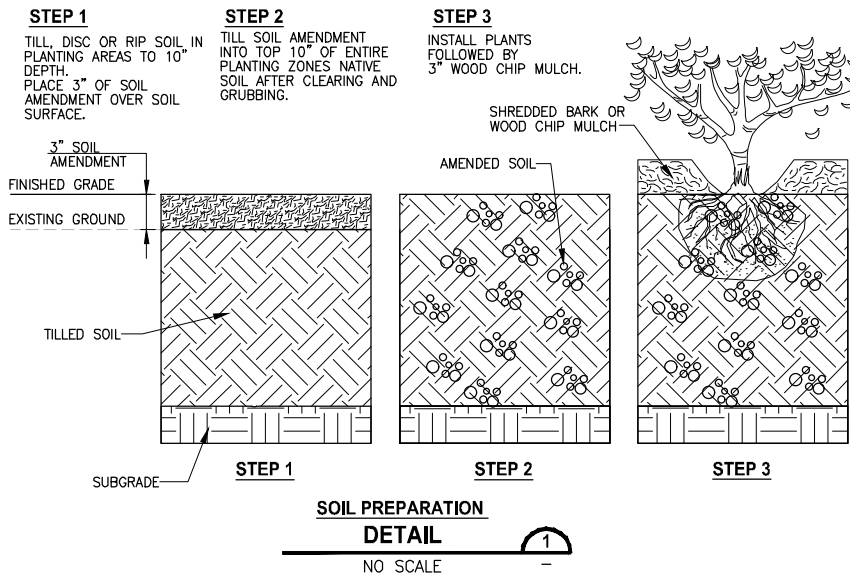
TREE PLANTING DETAIL
NO SCALE



DECIDUOUS TREE PLANTING DETAIL
NO SCALE

PLANTING NOTES:

- CONTRACTOR SHALL ARRANGE TO MEET ON SITE WITH THE PROJECT REPRESENTATIVE TO DISCUSS LIMITS OF WORK AND METHODS. CONSTRUCTION ACTIVITIES SHALL NOT COMMENCE UNTIL ACCESS, LIMITS OF WORK, AND METHODS ARE APPROVED. ALL SAFETY FENCING AND TESC MEASURES MUST BE INSTALLED PRIOR TO COMMENCING CONSTRUCTION ACTIVITIES.
- ALL PLANTS TO BE SAVED AND PROTECTED WITHIN PLANTING AREAS WILL BE FLAGGED BY ENGINEER. NOTIFY ENGINEER 5 DAYS PRIOR TO START OF CLEARING ACTIVITY.
- MITIGATION PLANTING PLANS REPRESENT A CONCEPTUAL PLANT LAYOUT. FINAL PLANT LOCATIONS SHALL BE APPROVED BY PROJECT REPRESENTATIVE PRIOR TO PLANTING. COORDINATE DATA WILL BE PROVIDED ELECTRONICALLY FOR LOCATION OF PLANTING AREA BOUNDARIES.
- AMEND ALL PLANTING AREA SOILS AND SEEDING AREAS WITH 3\"/>



SOIL PREPARATION DETAIL
NO SCALE

PLANT MATERIAL LIST

QUANTITY	BOTANICAL NAME	COMMON NAME	MIN SIZE/CONDITION	NOTES/SPACING
TREES				
2	ACER MACROPHYLLUM	BIG-LEAF MAPLE	2' CAL.	AS SHOWN ON PLAN
9	ACER PLATANOIDES 'COLUMNARBROAD'	PARKWAY MAPLE	2' CAL.	AS SHOWN ON PLAN
15	THUJA PLICATA	WESTERN RED CEDAR	6' TALL	AS SHOWN ON PLAN
6	ZELKOVA SERRATA 'GREEN VASE'	JAPANESE SERRATA	2' CAL.	AS SHOWN ON PLAN
SHRUBS				
25	MYRICA CALIFORNICA	PACIFIC WAX MYRTLE	36\"/>	

PLANT MATERIAL SETBACK CHART

	GUARDRAIL BARRIER	EDGE OF ROADWAY	PATHS, TRAILS	WALL	FENCE	SIGNS	EXISTING TREE, TRUNK	EXISTING VEGETATION MASS
EVERGREEN TREE	15'	15'	10'	8'	8'	15'	10'	-
ORNAMENTAL/NATIVE DECIDUOUS TREE	6'	6'	10'	8'	8'	15'	10'	-
MEDIUM AND LARGE SHRUBS - GREATER THAN 3' TALL	5'	5'	8'	3'	3'	6'	5'	5'
SMALL SHRUB - LESS THAN 3' TALL	3'	5'	5'	2'	3'	2'	5'	5'

TYPICAL MINIMUM DISTANCE SETBACKS ARE TO THE CENTER STEM OR TRUNK OF PLANT MATERIAL UNLESS OTHERWISE DIRECTED BY THE ENGINEER DURING LAYOUT AND STAKING OF PLANT LOCATIONS.

TREE RETENTION CALCULATION

EXISTING SIGNIFICANT TREES ON SITE	22
TREES REMOVED FOR PROJECT	13
TREES RETAINED	41%
R-4 ZONE TREE RETENTION REQUIREMENT	35%
TREE REPLACEMENT REQUIRED AT 1 TO 1 RATIO	13
REPLACEMENT TREES PROPOSED	16

CITY OF SAMMAMISH APPROVAL	
City Engineer _____	Date _____
Community Development _____	Date _____

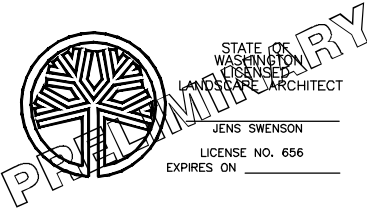
Exhibit 7
SSDP2016-00414
000056

60% REVISED REVIEW SUBMITTAL
NOT FOR CONSTRUCTION

PLOTTED BY: purgaban DATE: Monday, July 10, 2017 11:18:12 AM
 PATH: U:\PSO\Projects\Clients\1521-KingCo\564-1521-075-ELST\98\Sves\CADD\Phase 21\T03\Draw\

REVISIONS	DATE	BY	DESIGNED
			J. SWENSON
			B. PURGANAN
			P. JOHANNESSEN
			Y. HO

ONE INCH AT FULL SCALE. IF NOT, SCALE ACCORDINGLY
 FILE NAME: BL1521075P21T03LD-01
 JOB No: 564-1521-075 P21T03
 DATE: OCTOBER 2016



Parametrix
 ENGINEERING · PLANNING · ENVIRONMENTAL SCIENCES
 719 2ND AVENUE, SUITE 200 | SEATTLE, WA 98104
 P 206.394.3700
 WWW.PARAMETRIX.COM

PROJECT NAME
EAST LAKE SAMMAMISH MASTER PLAN TRAIL INGLEWOOD HILL ROAD PARKING LOT
 SAMMAMISH, WA

PLANTING SCHEDULE AND DETAILS

SHEET NO.
 27 OF 29
LD1

EROSION/SEDIMENTATION CONTROL NOTES:

- THE APPROVED CONSTRUCTION SEQUENCE SHALL BE AS FOLLOWS:
 - CONDUCT PRE-CONSTRUCTION MEETING.
 - FLAG OR FENCE CLEARING LIMITS.
 - POST SIGN WITH NAME AND PHONE NUMBER OF TESC SUPERVISOR.
 - INSTALL CATCH BASIN PROTECTION IF REQUIRED.
 - GRADE AND INSTALL CONSTRUCTION ENTRANCE(S).
 - INSTALL PERIMETER PROTECTION (SILT FENCE, BRUSH BARRIER, ETC.).
 - GRADE AND STABILIZE CONSTRUCTION ROADS.
 - CONSTRUCT SURFACE WATER CONTROLS (INTERCEPTOR DIKES, PIPE SLOPE DRAINS, ETC.) SIMULTANEOUSLY WITH CLEARING AND GRADING FOR PROJECT DEVELOPMENT.
 - MAINTAIN EROSION CONTROL MEASURE IN ACCORDANCE WITH CITY OF SAMMAMISH STANDARDS AND MANUFACTURER'S RECOMMENDATIONS.
 - RELOCATE EROSION CONTROL MEASURES OR INSTALL NEW MEASURES SO THAT AS SITE CONDITIONS CHANGE, THE EROSION AND SEDIMENT CONTROL IS ALWAYS IN ACCORDANCE WITH THE CITY TESC MINIMUM REQUIREMENTS.
 - COVER ALL AREAS WITHIN THE SPECIFIED TIME FRAME WITH STRAW, WOOD FIBER MULCH, COMPOST, PLASTIC SHEETING, CRUSHED ROCK OR EQUIVALENT.
 - STABILIZE ALL AREAS THAT REACH FINAL GRADE WITHIN 7 DAYS.
 - SEED OR SOD ANY AREAS TO REMAIN UNWORKED FOR MORE THAN 30 DAYS.
 - UPON COMPLETION OF THE PROJECT, ALL DISTURBED AREAS MUST BE STABILIZED AND BEST MANAGEMENT PRACTICES REMOVED IF APPROPRIATE.
- APPROVAL OF THIS EROSION/SEDIMENTATION CONTROL (ESC) PLAN DOES NOT CONSTITUTE AN APPROVAL OF PERMANENT ROAD OR DRAINAGE DESIGN (E.G., SIZE AND LOCATION OF ROADS, PIPES, RESTRICTORS, CHANNELS, RETENTION FACILITIES, UTILITIES, ETC.).
- THE IMPLEMENTATION OF THESE ESC PLANS AND THE CONSTRUCTION, MAINTENANCE, REPLACEMENT, AND UPGRADING OF THESE ESC FACILITIES IS THE RESPONSIBILITY OF THE APPLICANT/CONTRACTOR UNTIL ALL CONSTRUCTION IS APPROVED.
- THE BOUNDARIES OF THE CLEARING LIMITS SHOWN ON THIS PLAN SHALL BE SET BY SURVEY AND CLEARLY FLAGGED IN THE FIELD BY A CLEARING CONTROL FENCE PRIOR TO CONSTRUCTION. DURING THE CONSTRUCTION PERIOD, NO DISTURBANCE OR REMOVAL OF ANY GROUND COVER BEYOND THE FLAGGED CLEARING LIMITS SHALL BE PERMITTED. THE APPLICANT/CONTRACTOR SHALL MAINTAIN THE FLAGGING FOR THE DURATION OF CONSTRUCTION.
- THE ESC FACILITIES SHOWN ON THIS PLAN MUST BE CONSTRUCTED PRIOR TO OR IN CONJUNCTION WITH ALL CLEARING AND GRADING ACTIVITIES IN SUCH A MANNER AS TO ENSURE THAT SEDIMENT-LADEN WATER DOES NOT ENTER THE DRAINAGE SYSTEM OR VIOLATE APPLICABLE WATER STANDARDS. WHEREVER POSSIBLE, MAINTAIN NATURAL VEGETATION FOR SILT CONTROL.
- THE ESC FACILITIES SHOWN ON THIS PLAN ARE THE MINIMUM REQUIREMENTS FOR ANTICIPATED SITE CONDITIONS. DURING THE CONSTRUCTION PERIOD, THESE ESC FACILITIES SHALL BE UPGRADED (E.G., ADDITIONAL SUMPS, RELOCATION OF DITCHES AND SILT FENCES, ETC.) AS NEEDED FOR UNEXPECTED STORM EVENTS. ADDITIONALLY, MORE ESC FACILITIES MAY BE REQUIRED TO ENSURE COMPLETE SEDIMENT CONTROL. THEREFORE, DURING THE COURSE OF CONSTRUCTION IT SHALL BE THE OBLIGATION AND RESPONSIBILITY OF THE CONTRACTOR TO ADDRESS ANY NEW CONDITIONS THAT MAY BE CREATED BY HIS ACTIVITIES AND TO PROVIDE ADDITIONAL FACILITIES OVER AND ABOVE THE MINIMUM REQUIREMENTS AS MAY BE NEEDED.
- THE ESC FACILITIES SHALL BE INSPECTED BY THE CONTRACTOR IN ACCORDANCE WITH THE CONSTRUCTION STORMWATER GENERAL PERMIT AND MAINTAINED AS NECESSARY TO ENSURE THEIR CONTINUED FUNCTIONING. IN ADDITION, ALL TEMPORARY EROSION CONTROLS SHALL BE MAINTAINED IN A SATISFACTORY CONDITION UNTIL SUCH TIME THAT CLEARING AND/OR CONSTRUCTION IS COMPLETED, PERMANENT DRAINAGE FACILITIES ARE OPERATIONAL, AND THE POTENTIAL FOR EROSION HAS PASSED. WRITTEN RECORDS SHALL BE KEPT DOCUMENTING THE REVIEWS OF THE ESC FACILITIES.
- ALL DENUDED SOILS MUST BE STABILIZED WITH AN APPROVED TESC METHOD (E.G. SEEDING, MULCHING, PLASTIC COVERING, CRUSHED ROCK) WITHIN THE FOLLOWING TIMELINES:
 - MAY 1 TO SEPTEMBER 30 – SOILS MUST BE STABILIZED WITHIN 7 DAYS OF GRADING.
 - OCTOBER 1 TO APRIL 30 – SOILS MUST BE STABILIZED WITHIN 2 DAYS OF GRADING.
- AT NO TIME SHALL SEDIMENT ACCUMULATION WITHIN A CATCH BASIN BE MORE THAN ONE-THIRD ITS AVAILABLE STORAGE. ALL CATCH BASINS AND CONVEYANCE LINES SHALL BE CLEANED PRIOR TO PAVING. THE CLEANING OPERATION SHALL NOT FLUSH SEDIMENT-LADEN WATER INTO THE DOWNSTREAM SYSTEM.
- STABILIZED CONSTRUCTION ENTRANCES SHALL BE INSTALLED AT THE BEGINNING OF CONSTRUCTION AND MAINTAINED FOR THE DURATION OF THE PROJECT. ADDITIONAL MEASURES, SUCH AS WASH PADS, MAY BE REQUIRED TO ENSURE THAT ALL PAVED AREAS ARE KEPT CLEAN FOR THE DURATION OF THE PROJECT.
- WHERE SEEDING FOR TEMPORARY EROSION CONTROL IS REQUIRED, FAST GERMINATING GRASSES SHALL BE APPLIED AT AN APPROPRIATE RATE (EXAMPLE: ANNUAL OR PERENNIAL RYE APPLIED AT APPROXIMATELY 80 POUNDS PER ACRE). APPROPRIATE WEATHER CONDITIONS ARE REQUIRED FOR GERMINATION.
- WHERE STRAW MULCH IS REQUIRED FOR TEMPORARY EROSION CONTROL, IT SHALL BE APPLIED AT A MINIMUM THICKNESS OF 2-INCHES.
- ALL WORK AND MATERIALS SHALL BE IN ACCORDANCE WITH CITY OF SAMMAMISH STANDARDS AND SPECIFICATIONS.
- THE ESC FACILITIES SHALL BE CONSTRUCTED IN ACCORDANCE WITH THE DETAILS ON THE APPROVED PLANS. LOCATIONS MAY BE MOVED TO SUIT FIELD CONDITIONS, SUBJECT TO APPROVAL BY THE ENGINEER AND THE CITY OF SAMMAMISH INSPECTOR.
- A COPY OF THE APPROVED EROSION CONTROL PLANS MUST BE ON THE JOB SITE WHENEVER CONSTRUCTION IS IN PROGRESS.

EROSION/SEDIMENTATION CONTROL NOTES (CONTINUED):

- CLEARING LIMITS SHALL BE DELINEATED WITH A CLEARING CONTROL FENCE. THE CLEARING CONTROL FENCE SHALL CONSIST OF A 4-FT HIGH TEMPORARY CONSTRUCTION FENCE ADJACENT THE DRIP LINE OF TREES TO BE SAVED, WETLAND OR STREAM BUFFERS, AND SENSITIVE SLOPES. CLEARING CONTROL FENCES ALONG WETLAND OR STREAM BUFFERS OR UPSLOPE OF SENSITIVE SLOPES SHALL BE ACCOMPANIED BY AN EROSION CONTROL FENCE.
- OFF-SITE STREETS MUST BE KEPT CLEAN AT ALL TIMES. IF DIRT IS DEPOSITED ON THE PUBLIC STREET SYSTEM, THE STREET SHALL BE IMMEDIATELY CLEANED WITH POWER SWEEPER OR OTHER EQUIPMENT. ALL VEHICLES SHALL LEAVE THE SITE BY WAY OF THE CONSTRUCTION ENTRANCE AND SHALL BE CLEANED OF ALL DIRT THAT WOULD BE DEPOSITED ON THE PUBLIC STREETS.
- ANY CATCH BASINS COLLECTING RUNOFF FROM THE SITE, WHETHER THEY ARE ON OR OFF THE SITE, SHALL HAVE THEIR GRATES COVERED WITH FILTER FABRIC DURING CONSTRUCTION. CATCH BASINS DIRECTLY DOWNSTREAM OF THE CONSTRUCTION ENTRANCE OR ANY OTHER CATCH BASIN AS DETERMINED BY THE ENGINEER SHALL BE PROTECTED WITH A "FILTER FABRIC SOCK" OR EQUIVALENT.
- THE WASHED GRAVEL BACKFILL ADJACENT TO THE FILTER FABRIC FENCE SHALL BE REPLACED AND THE FILTER FABRIC CLEANED IF IT IS NONFUNCTIONAL BY EXCESSIVE SILT ACCUMULATION AS DETERMINED BY THE ENGINEER. ALSO, ALL INTERCEPTOR SWALES SHALL BE CLEANED IF SILT ACCUMULATION EXCEEDS ONE-QUARTER DEPTH.
- IF ANY PART(S) OF THE CLEARING LIMIT BOUNDARY OR TEMPORARY EROSION/SEDIMENTATION CONTROL PLAN IS/ARE DAMAGED, IT SHALL BE REPAIRED IMMEDIATELY.
- ALL PROPERTIES ADJACENT TO THE PROJECT SITE SHALL BE PROTECTED FROM SEDIMENT DEPOSITION AND RUNOFF.
- DO NOT FLUSH CONCRETE BY-PRODUCTS OR TRUCKS NEAR OR INTO THE STORM DRAINAGE SYSTEM. IF EXPOSED AGGREGATE IS FLUSHED INTO THE STORM SYSTEM, IT COULD MEAN RE-CLEANING THE ENTIRE DOWNSTREAM STORM SYSTEM, OR POSSIBLY RE-LAYING THE STORM LINE.
- PRIOR TO OCTOBER 1 OF EACH YEAR (THE BEGINNING OF THE WET SEASON), ALL DISTURBED AREAS SHALL BE REVIEWED TO IDENTIFY WHICH ONES CAN BE SEEDING IN PREPARATION FOR THE WINTER RAINS. THE IDENTIFIED DISTURBED AREA SHALL BE SEEDING WITHIN ONE WEEK AFTER OCTOBER 1. A SITE PLAN DEPICTING THE AREAS TO BE SEEDING AND THE AREAS TO REMAIN UNCOVERED SHALL BE SUBMITTED TO THE ENGINEER. THE ENGINEER CAN REQUIRE SEEDING OF ADDITIONAL AREAS IN ORDER TO PROTECT SURFACE WATERS, ADJACENT PROPERTIES, OR DRAINAGE FACILITIES.
- DURING THE WET SEASON (OCTOBER 1 – APRIL 31), STOCK PILES AND STEEP CUT AND FILL SLOPES ARE TO BE PROTECTED IF UNWORKED FOR MORE THAN 12 HOURS.
- DURING THE WET SEASON (OCTOBER 1 – APRIL 31), COVER MATERIAL SUFFICIENT TO COVER ALL DISTURBED AREAS SHALL BE STOCKPILED ON SITE.
- DURING THE WET SEASON (OCTOBER 1 – APRIL 31), FIFTY LINEAR FEET OF SILT FENCE PER ACRE OF DISTURBANCE MUST BE STOCKPILED ON SITE.
- DURING THE WET SEASON (OCTOBER 1 – APRIL 31), THE FREQUENCY OF MAINTENANCE REVIEW INCREASE FROM MONTHLY TO WEEKLY.

ROADWAY NOTES:

- A PRE-CONSTRUCTION CONFERENCE SHALL BE HELD PRIOR TO THE START OF CONSTRUCTION. THE APPLICANT/CONTRACTOR SHALL BE RESPONSIBLE FOR SECURING ALL NECESSARY PERMITS PRIOR TO CONSTRUCTION.
- ALL ROADWAY WORK AND MATERIAL SHALL BE IN ACCORDANCE WITH THE CURRENT APWA AND CITY OF SAMMAMISH STANDARDS AND SPECIFICATIONS.
- A COPY OF THE APPROVED PLANS MUST BE ON THE JOB SITE WHENEVER CONSTRUCTION IS IN PROGRESS.
- DENSITY TEST REPORTS WILL BE REQUIRED FOR ALL PUBLIC ROADWAYS AND ALL PRIVATE ROADWAYS. ALL TRENCH BACKFILL SHALL BE COMPACTED TO 95 PERCENT DENSITY (MODIFIED PROCTOR ASTM-D1557) IN ROADWAYS, ROADWAY SHOULDERS, ROADWAY PRISM AND DRIVEWAYS, 90 PERCENT IN ALL SIDEWALKS AND PEDESTRIAN PATHS, AND 85 PERCENT DENSITY IN UNPAVED AREAS. ALL PIPE ZONE COMPACTION SHALL BE 95 PERCENT (MODIFIED PROCTOR ASTM-D1557).
- ALL COMMERCIAL AND RESIDENTIAL DRIVEWAYS MUST CONFORM TO THE CITY OF SAMMAMISH DEPARTMENT OF PUBLIC WORKS DRIVEWAY STANDARDS.
- ALL CONCRETE FOR DRIVEWAY APPROACHES, INCLUDING SIDEWALKS, CURB, AND GUTTER MUST BE 4000 PSI MINIMUM.
- IT IS THE RESPONSIBILITY OF THE CONTRACTOR TO PROVIDE ADEQUATE TEMPORARY TRAFFIC CONTROL TO ENSURE TRAFFIC SAFETY DURING CONSTRUCTION ACTIVITIES. THEREFORE, THE CONTRACTOR SHALL SUBMIT A TRAFFIC CONTROL PLAN TO THE PUBLIC WORKS DEPARTMENT AS PART OF THE RIGHT-OF-WAY PERMIT. ALL TRAFFIC CONTROL DEVICES SHALL CONFORM TO THE "MANUAL ON UNIFORM TRAFFIC CONTROL DEVICES" (MUTCD) OR AS MODIFIED BY THE TRAFFIC ENGINEER.
- ANY EXISTING PUBLIC IMPROVEMENTS DAMAGED DURING CONSTRUCTION SHALL BE REPLACED PRIOR TO FINAL INSPECTION.
- THE CONTRACTOR IS RESPONSIBLE FOR KEEPING ALL PUBLIC STREETS FREE FROM MUD AND DEBRIS AT ALL TIMES. THE CONTRACTOR SHALL BE PREPARED TO USE POWER SWEEPERS OR OTHER PIECES OF EQUIPMENT NECESSARY TO KEEP THE ROADWAYS CLEAN.
- ALL PEDESTRIAN ACCESS AREAS INCLUDING SIDEWALKS AND SIDEWALKS RAMPS SHALL BE CONSISTENT WITH CURRENT ADA REQUIREMENTS. IT IS THE RESPONSIBILITY OF THE ENGINEER AND CONTRACTOR TO ENSURE ALL PEDESTRIAN ACCESS MEET CURRENT ADA STANDARDS.
- AT THE ENGINEER'S DISCRETION, PROOF ROLLING SHALL BE REQUIRED FOR THE TRAIL TO ENSURE ADEQUATE COMPACTION. ALL PROOF ROLLING SHALL BE APPROVED BY THE ENGINEER.

STORM DRAINAGE NOTES:

- A PRE-CONSTRUCTION CONFERENCE SHALL BE HELD PRIOR TO THE START OF CONSTRUCTION. THE APPLICANT/CONTRACTOR SHALL BE RESPONSIBLE FOR SECURING ALL NECESSARY PERMITS PRIOR TO CONSTRUCTION.
- BEFORE ANY CONSTRUCTION MAY OCCUR, THE CONTRACTOR SHALL HAVE PLANS WHICH HAVE BEEN SIGNED AND APPROVED BY THE CITY OF SAMMAMISH PUBLIC WORKS DEPARTMENT, OBTAINED ALL CITY, COUNTY, STATE, FEDERAL AND OTHER REQUIRED PERMITS, AND HAVE POSTED ALL REQUIRED BONDS.
- ALL STORM DRAINAGE IMPROVEMENTS SHALL BE CONSTRUCTED IN ACCORDANCE WITH THE LATEST EDITION OF THE VESTED KING COUNTY SURFACE WATER DESIGN MANUAL, CITY OF SAMMAMISH PUBLIC WORKS STANDARDS, 2007 KING COUNTY ROAD STANDARDS, AND THE STANDARD SPECIFICATIONS FOR ROAD, BRIDGE AND MUNICIPAL CONSTRUCTION, PREPARED BY WSDOT AND THE AMERICAN PUBLIC WORKS ASSOCIATION (APWA).
- ANY DEVIATION FROM THE APPROVED PLANS WILL REQUIRE WRITTEN APPROVAL; ALL CHANGES SHALL BE SUBMITTED TO THE CITY.
- A COPY OF THE APPROVED STORM WATER PLANS MUST BE ON THE JOB SITE WHENEVER CONSTRUCTION IS IN PROGRESS.
- ALL DISTURBED AREAS SHALL BE SEEDING AND MULCHED OR SIMILARLY STABILIZED TO THE SATISFACTION OF THE CITY OF SAMMAMISH DEPARTMENT OF PUBLIC WORKS FOR THE PREVENTION OF ON-SITE EROSION AFTER THE COMPLETION OF CONSTRUCTION.
- MINIMUM COVER OVER STORM DRAINAGE PIPES AND FACILITIES SHALL BE 2 FEET, UNLESS OTHERWISE SHOWN AND APPROVED.
- ALL CATCH BASINS SHALL BE TYPE I UNLESS OTHERWISE NOTED. CATCH BASINS WITH A DEPTH OF OVER FIVE FEET (5') TO THE PIPE INVERT SHALL BE A TYPE II CATCH BASIN. TYPE II CATCH BASINS EXCEEDING FIVE FEET (5') IN DEPTH SHALL HAVE A STANDARD LADDER INSTALLED. ALL STORM DRAINAGE MAIN EXTENSIONS WITHIN THE PUBLIC RIGHT-OF-WAY OR IN EASEMENTS MUST BE STAKED FOR LINE AND GRADE PRIOR TO STARTING CONSTRUCTION.
- ALL TRENCH BACKFILL SHALL BE COMPACTED TO 95 PERCENT DENSITY (MODIFIED PROCTOR ASTM-D1557) IN ROADWAYS, ROADWAY SHOULDERS, ROADWAY PRISM AND DRIVEWAYS, AND 85 PERCENT DENSITY (MODIFIED PROCTOR ASTM-D1557) IN UNPAVED AREAS. ALL PIPE ZONE COMPACTION SHALL BE 95 PERCENT (MODIFIED PROCTOR ASTM-D1557).
- THE CONTRACTOR SHALL BE RESPONSIBLE FOR PROVIDING ADEQUATE SAFEGUARDS, SAFETY DEVICES, PROTECTIVE EQUIPMENT, CONFINED SPACE PROTECTION, FLAGGERS, AND ANY OTHER NEEDED ACTIONS TO PROTECT THE LIFE, HEALTH, AND SAFETY OF THE PUBLIC, AND TO PROTECT PROPERTY IN CONNECTION WITH THE PERFORMANCE OF WORK COVERED BY THE CONTRACT. ANY WORK WITHIN THE TRAVELED RIGHT-OF-WAY THAT MAY INTERRUPT NORMAL TRAFFIC FLOW SHALL REQUIRE A TRAFFIC CONTROL PLAN APPROVED BY THE CITY OF SAMMAMISH. ALL SECTIONS OF THE WSDOT STANDARD SPECIFICATIONS, TRAFFIC CONTROL, AND THE MANUAL OF UNIFORM TRAFFIC CONTROL DEVICES (MUTCD) SHALL APPLY.
- NO FINAL CUT OR FILL SLOPE SHALL EXCEED SLOPES OF TWO (2) HORIZONTAL TO ONE (1) VERTICAL WITHOUT STABILIZATION BY ROCKERY OR BY A STRUCTURAL RETAINING WALL, UNLESS DESIGNED AND UNDER THE SUPERVISION OF A LICENSED GEOTECHNICAL ENGINEER.
- ALL MANHOLE LADDERS SHALL BE FIRMLY ATTACHED AND EXTEND TO WITHIN 16" OF THE BOTTOM OF THE STRUCTURE.
- APPROXIMATE LOCATIONS OF EXISTING UTILITIES HAVE BEEN OBTAINED FROM AVAILABLE RECORDS AND ARE SHOWN FOR CONVENIENCE. THE CONTRACTOR SHALL BE RESPONSIBLE FOR VERIFICATION OF EXISTING UTILITY LOCATIONS WHETHER OR NOT THESE UTILITIES ARE SHOWN ON THE PLANS. THE CONTRACTOR SHALL EXERCISE ALL CARE TO AVOID DAMAGE TO ANY UTILITY. IF CONFLICTS WITH EXISTING UTILITIES ARISE DURING CONSTRUCTION, THE CONTRACTOR SHALL NOTIFY THE CITY CONSTRUCTION INSPECTOR AND ANY CHANGES REQUIRED SHALL BE APPROVED BY THE CITY OF SAMMAMISH PUBLIC WORKS DEPARTMENT PRIOR TO COMMENCEMENT OF RELATED CONSTRUCTION ON THE PROJECT.
- THE UNDERGROUND UTILITY LOCATION SERVICE SHALL BE CONTACTED FOR FIELD LOCATION OF EXISTING UTILITIES PRIOR TO ANY CONSTRUCTION. THE OWNER OR HIS REPRESENTATIVE SHALL BE CONTACTED IF A UTILITY CONFLICT EXISTS. FOR UTILITY LOCATION IN KING COUNTY, CALL 1-800-424-5555. THE CONTRACTOR IS RESPONSIBLE TO ENSURE THAT UTILITY LOCATES ARE MAINTAINED THROUGHOUT THE LIFE OF THE PROJECT.
- THE CONTRACTOR SHALL VERIFY THE LOCATIONS, WIDTHS, THICKNESSES, AND ELEVATIONS OF ALL EXISTING PAVEMENTS AND STRUCTURES THAT ARE TO INTERFACE WITH NEW WORK. PROVIDE ALL TRIMMING, CUTTING, SAW CUTTING, GRADING, LEVELING, SLOPING, COATING, AND OTHER WORK, INCLUDING MATERIALS AS NECESSARY, TO CAUSE THE INTERFACE WITH EXISTING WORKS TO BE PROPER, ACCEPTABLE TO THE ENGINEER AND THE CITY OF SAMMAMISH, COMPLETE IN PLACE AND READY TO USE.
- ALL CATCH BASIN GRATES SHALL BE VANED GRATES OR SOLID LIDS COVERS. HERRINGBONE GRATES ARE NOT ALLOWED. ALL SOLID LID COVERS SHALL BE ROUND LOCKING DRAIN LIDS. ALL CATCH BASINS LOCATED IN UNPAVED AREAS MUST HAVE AT LEAST 2-FT OF CONCRETE OR ASPHALT PAVING AROUND PERIMETER.
- ALL DAMAGES INCURRED TO PUBLIC AND/OR PRIVATE PROPERTY BY THE CONTRACTOR DURING THE COURSE OF CONSTRUCTION SHALL BE PROMPTLY REPAIRED TO THE SATISFACTION OF THE CITY CONSTRUCTION INSPECTOR BEFORE PROJECT APPROVAL AND/OR THE RELEASE OF THE PROJECT'S PERFORMANCE BOND.

GENERAL NOTES:

- ALL CONSTRUCTION SHALL BE IN ACCORDANCE WITH THE CITY OF SAMMAMISH PUBLIC WORKS STANDARDS AND THE CITY OF SAMMAMISH CONDITIONS OF APPROVAL. IT SHALL BE THE RESPONSIBILITY OF THE APPLICANT/CONTRACTOR AND THE PROFESSIONAL CIVIL ENGINEER TO CORRECT ANY ERRORS, OMISSIONS, OR VARIATIONS FROM THE ABOVE REQUIREMENTS FOUND IN THESE PLANS.
- THE DESIGN ELEMENTS IN THESE PLANS HAVE BEEN REVIEWED ACCORDING TO THE CITY OF SAMMAMISH ENGINEERING REVIEW CHECKLIST. SOME ELEMENTS MAY HAVE BEEN OVERLOOKED OR MISSED BY THE CITY PLAN REVIEWER. ANY VARIANCE FROM ADOPTED STANDARDS IS NOT ALLOWED UNLESS SPECIFICALLY APPROVED BY THE CITY PRIOR TO CONSTRUCTION.
- THE CONTRACTOR SHALL BE RESPONSIBLE FOR PROVIDING ADEQUATE SAFEGUARDS, SAFETY DEVICES, PROTECTIVE EQUIPMENT, FLAGGERS, AND ANY OTHER NEEDED ACTIONS TO PROTECT THE LIFE, HEALTH, AND SAFETY OF THE PUBLIC, AND TO PROTECT PROPERTY IN CONNECTION WITH THE PERFORMANCE OF WORK COVERED BY THE CONTRACTOR.
- APPROVAL OF THIS ROAD, GRADING, AND DRAINAGE PLAN DOES NOT CONSTITUTE AN APPROVAL OF ANY OTHER CONSTRUCTION (E.G. DOMESTIC WATER CONVEYANCE, SEWER CONVEYANCE, GAS, ELECTRICAL, ETC).
- PRIOR TO ANY CONSTRUCTION OR DEVELOPMENT ACTIVITY, A PRECONSTRUCTION MEETING MUST BE HELD BETWEEN THE CITY OF SAMMAMISH, THE APPLICANT(S), AND THE APPLICANT'S CONSTRUCTION REPRESENTATIVE.
- A COPY OF THESE APPROVED PLANS SHALL BE ON THE JOB SITE WHENEVER CONSTRUCTION IS IN PROGRESS.

GENERAL NOTES (CONTINUED):

- IT SHALL BE THE APPLICANT'S/CONTRACTOR'S RESPONSIBILITY TO OBTAIN ALL CONSTRUCTION EASEMENTS NECESSARY BEFORE INITIATING ANY OFF-SITE WORK.
- OPEN CUTTING OF EXISTING ROADWAYS IS NOT ALLOWED UNLESS SPECIFICALLY APPROVED BY THE CITY OF SAMMAMISH AND NOTED ON THESE APPROVED PLANS.
- ANY CHANGES TO THE APPROVED PLANS MUST BE APPROVED BY THE CITY IN WRITING.
- THESE PLANS ARE APPROVED FOR STANDARD ROAD AND DRAINAGE IMPROVEMENTS ONLY. PLANS FOR STRUCTURES SUCH AS BRIDGES, BOX CULVERTS, AND RETAINING WALLS REQUIRE A SEPARATE REVIEW, APPROVAL, AND BUILDING PERMIT FROM THE CITY OF SAMMAMISH PRIOR TO CONSTRUCTION.
- ANY WALL OVER 4 FEET IN HEIGHT, OR WITH A SURCHARGED LATERAL LOAD, MUST BE ACCOMPANIED BY AN ENGINEER'S STAMP. WALLS SHALL NOT BE USED TO SUPPORT DRIVEWAYS OR SIDEWALKS UNLESS ACCOMPANIED BY AN ENGINEER'S STAMP. A BUILDING PERMIT IS REQUIRED PRIOR TO CONSTRUCTION.
- CONSTRUCTION HOURS ARE 7:00 AM TO 8:00 PM ON WEEKDAYS AND 9:00 AM TO 6:00 PM ON SATURDAYS AND CITY HOLIDAYS. WORK IS NOT ALLOWED ON SUNDAYS.
- NO MATERIALS OR EQUIPMENT SHALL BE PLACED OR STORED ON PUBLIC STREETS AT ANY TIME.
- NO WORK IS ALLOWED WITHIN THE CITY PUBLIC RIGHT-OF-WAY UNTIL A RIGHT-OF-WAY PERMIT HAS BEEN ISSUED AND THE CITY HAS BEEN NOTIFIED AT LEAST 24 HOURS IN ADVANCE OF STARTING WORK WITHIN THE RIGHT-OF-WAY. ALL RIGHT-OF-WAY WORK TO BE PERFORMED IN ACCORDANCE WITH CITY OF SAMMAMISH STANDARDS.
- ALL PROJECTS ARE REQUIRED TO SUBMIT REQUESTS FOR VARIATIONS TO THE CITY PUBLIC WORKS STANDARDS IN WRITING. DETAILED DRAWINGS SHALL ACCOMPANY REQUESTS IF NECESSARY.
- ANY INTERRUPTION OF TRAFFIC FLOW ON CITY STREETS MUST FOLLOW A TRAFFIC CONTROL PLAN APPROVED BY THE CITY.
- CONSTRUCTION NOISE SHALL BE LIMITED AS PER THE CITY OF SAMMAMISH CODE.

SITE DEVELOPMENT PERMIT NOTES:

- THE APPLICANT SHALL COMPLY WITH ALL CITY, COUNTY, STATE, AND FEDERAL RULES AND REGULATIONS IN EFFECT ON AUGUST 23, 2012, THE VESTING DATE OF THE SUBJECT APPLICATION, INCLUDING ANY NECESSARY PERMITS FROM APPLICABLE STATE OR FEDERAL AGENCIES.
- A GRADING PERMIT IS REQUIRED PRIOR TO COMMENCING PROJECT CONSTRUCTION. GRADING PLANS SHOWING THE PROPOSED TRAIL WIDENING AND PAVING AND ASSOCIATED SITE IMPROVEMENTS, INCLUDING REQUIRED LANDSCAPING, RESTORATION AND MITIGATION PLANTINGS, SHALL BE IN SUBSTANTIAL CONFORMANCE WITH THE 100% REVIEW SUBMITTAL PLANS PREPARED BY PARAMETRIX, DATED FEBRUARY 2013.
- THIS SHORELINE SUBSTANTIAL DEVELOPMENT PERMIT SHALL COMPLY WITH ALL MITIGATION MEASURES LISTED IN THE EAST LAKE SAMMAMISH MASTER PLAN TRAIL RECORD OF DECISION, PAGES 8 – 13 (EXHIBIT 6).
- WHERE FENCES, RETAINING WALLS, OR A COMBINATION OF FENCE AND RETAINING WALL EXCEEDS FOUR FEET IN HEIGHT, ADEQUATE PROVISIONS SHALL BE MADE TO ALLOW WILDLIFE PASSAGE AT INTERVALS ALONG THE TRAIL.
- RESTORATION AND COMPENSATORY MITIGATION SHALL BE COMPLETED SUBSTANTIALLY AS SHOWN ON THE MITIGATION PLANS AND DESCRIBED IN THE CRITICAL AREAS STUDY (EXHIBIT 10), BOTH BY PARAMETRIX.
- AN AS-BUILT REPORT SHALL BE COMPLETED BY A QUALIFIED PROFESSIONAL TO DOCUMENT COMPLETION OF PROPOSED MITIGATION AND RESTORATION WORK. THE AS-BUILT REPORT MUST BE SUPPLIED TO THE CITY OF SAMMAMISH BIOLOGIST FOR REVIEW. AFTER THE CITY BIOLOGIST INSPECTS AND APPROVES AS-BUILT CONDITIONS, A REQUIRED 5-YEAR MAINTENANCE AND MONITORING PERIOD WILL BEGIN. DURING THE 5-YEAR MAINTENANCE AND MONITORING PERIOD, A MONITORING REPORT SHALL BE PREPARED BY A QUALIFIED PROFESSIONAL AND SUPPLIED FOR CITY REVIEW BY OCTOBER 31 OF EACH MONITORING YEAR.
- THIS PROJECT HAS RECEIVED HYDRAULIC PERMIT APPROVAL #128344-1 (HPA) FROM THE WASHINGTON DEPARTMENT OF FISH AND WILDLIFE (EXHIBIT 7). ALL CONDITIONS OF THE HPA SHALL BE CONSIDERED CONDITIONS OF THIS SHORELINE SUBSTANTIAL DEVELOPMENT PERMIT.
- THIS PROJECT HAS OBTAINED APPROVAL FROM THE ARMY CORPS OF ENGINEERS UNDER NATIONWIDE PERMIT 14 (EXHIBIT 8), AND SUBSEQUENTLY A STATE DEPARTMENT OF ECOLOGY WATER QUALITY CERTIFICATION AND COASTAL ZONE MANAGEMENT ACT CONSISTENCY DETERMINATION (EXHIBIT 9). ALL CONDITIONS OF CORPS AND DEPARTMENT OF ECOLOGY APPROVAL SHALL BE CONSIDERED CONDITIONS OF THIS SHORELINE SUBSTANTIAL DEVELOPMENT PERMIT.
- PER WAC 173-27-090, CONSTRUCTION SHALL BE COMMENCED ON THE PROPOSED TRAIL WIDENING AND PAVING, AND ASSOCIATED IMPROVEMENTS, WITHIN TWO YEARS OF THE EFFECTIVE DATE OF A SHORELINE PERMIT. THE CITY MAY AUTHORIZE A SINGLE EXTENSION FOR A PERIOD NOT TO EXCEED ONE YEAR BASED ON REASONABLE FACTORS, IF A REQUEST FOR EXTENSION HAS BEEN FILED BEFORE THE EXPIRATION DATE AND NOTICE OF THE PROPOSED EXTENSION IS GIVEN TO PARTIES OF RECORD AND THE DEPARTMENT.

Exhibit 7
SSDP2016-00414
000057

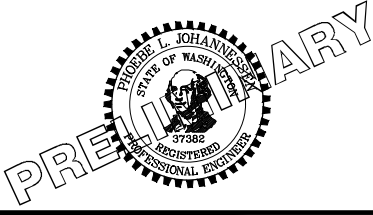
60% REVISED REVIEW SUBMITTAL
NOT FOR CONSTRUCTION

CITY OF SAMMAMISH APPROVAL	
City Engineer _____	Date _____
Community Development _____	Date _____

PATH: U:\PSO\Projects\Clients\1521-KingCo\564-1521-075-ELST\985ves\CA000\Phase 2\103\DWG\ PLOTTED BY: purgebut DATE: Monday, July 10, 2017 11:18:33 AM LAYOUT: GNT

REVISIONS	DATE	BY	DESIGNED
			J. JUN
			B. PURGANAN
			P. JOHANNESSEN
			Y. HO

ONE INCH AT FULL SCALE. IF NOT, SCALE ACCORDINGLY	
FILE NAME	BL1521075P21TO3GN-01
JOB No.	564-1521-075 P21TO3
DATE	OCTOBER 2016



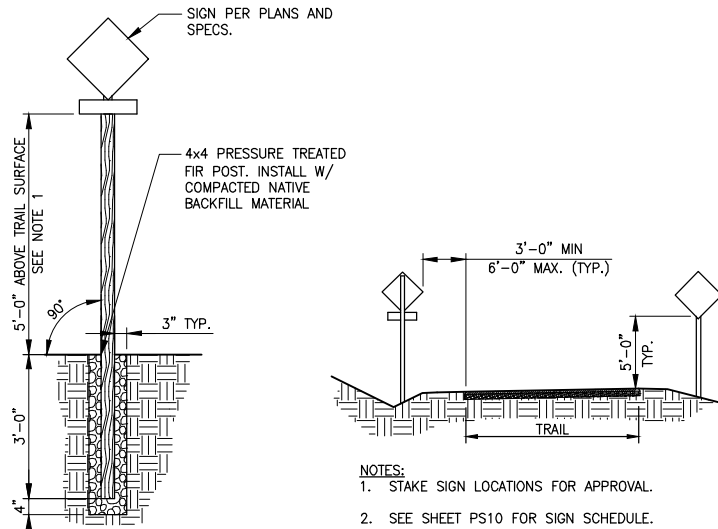
Parametrix
ENGINEERING · PLANNING · ENVIRONMENTAL SCIENCES

739 2ND AVENUE, SUITE 200 | SEATTLE, WA 98104
P 206.394.3700
WWW.PARAMETRIX.COM

PROJECT NAME	EAST LAKE SAMMAMISH MASTER PLAN TRAIL INGLEWOOD HILL ROAD PARKING LOT SAMMAMISH, WA
--------------	---

STANDARD PLAN NOTES

SHEET NO. 28 OF 29
GN1



TRAIL SIDE SIGNAGE

NOTES:

1. USE 7' MOUNTING HEIGHT FOR TRAFFIC SIGNS ALONG ROADWAYS, SEE SPECIFICATIONS.
2. USE 5' MOUNTING HEIGHT FOR TRAIL SIGNS.

TRAIL SIGNAGE

DETAIL

NOT TO SCALE



LAYOUT: MD1
 PATH: U:\PSO\Projects\Clients\1521-KingCo\554-1521-075-ELST\99Svcs\CADD\Phase 21\T03.Dwg
 PLOTTED BY: purgabut DATE: Monday, July 10, 2017 11:18:51 AM

REVISIONS	DATE	BY	DESIGNED
			J. JUN
			DRAWN B. PURGANAN
			CHECKED P. JOHANNESSEN
			APPROVED Y. HO

**ONE INCH AT FULL SCALE.
 IF NOT, SCALE ACCORDINGLY**
 FILE NAME
 BL1521075P21T03MD-01
 JOB No.
 554-1521-075 P21T03
 DATE
 OCTOBER 2016



Parametrix
 ENGINEERING · PLANNING · ENVIRONMENTAL SCIENCES
 719 2ND AVENUE, SUITE 200 | SEATTLE, WA 98104
 P 206.394.3700
 WWW.PARAMETRIX.COM

PROJECT NAME
**EAST LAKE SAMMAMISH
 MASTER PLAN TRAIL
 INGLEWOOD HILL ROAD PARKING LOT**
 SAMMAMISH, WA

MISCELLANEOUS DETAILS

SHEET NO.
 29 OF 29
MD1

Exhibit 7
SSDP2016-00414
000058

CITY OF SAMMAMISH APPROVAL	
City Engineer _____	Date _____
Community Development _____	Date _____

60% REVISED REVIEW SUBMITTAL
NOT FOR CONSTRUCTION