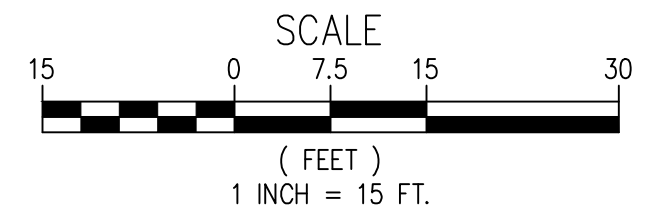
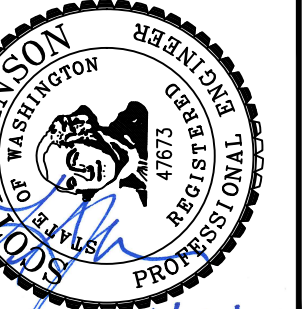
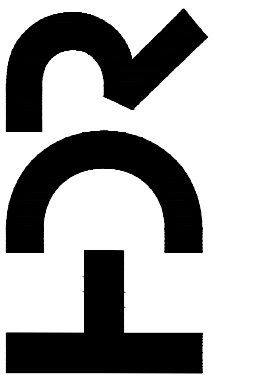
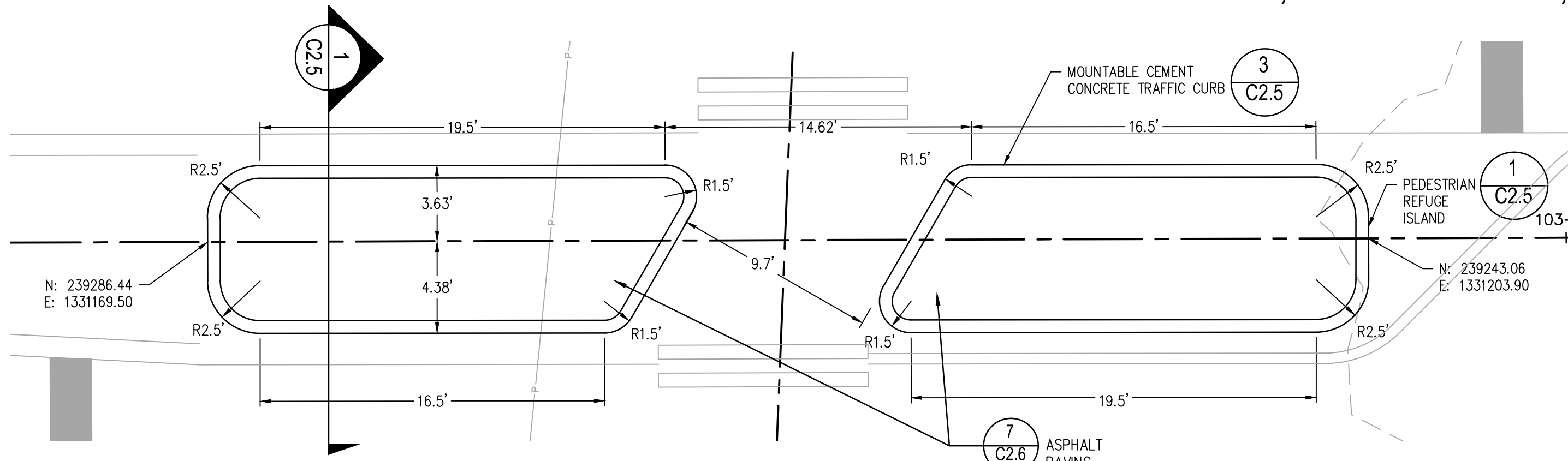


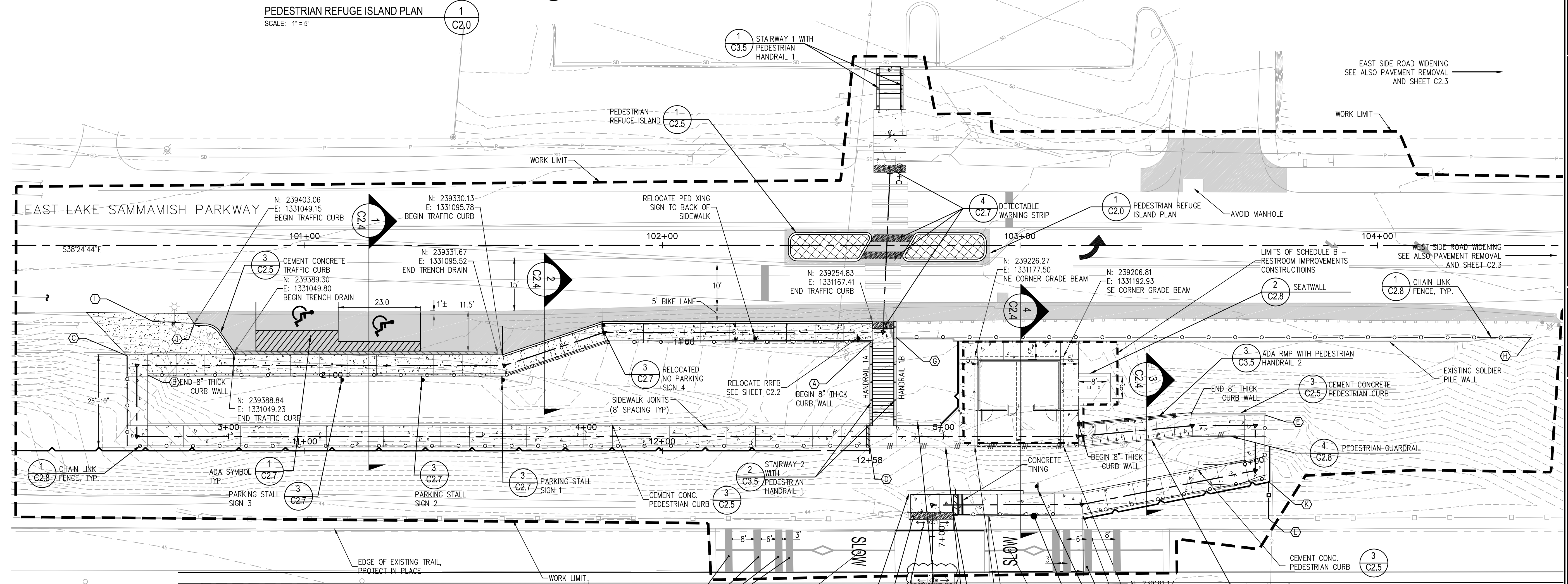
SECTION 18, TOWNSHIP 25N, RANGE 6E, W.M.



GENERAL NOTE:
1. CEMENT CONCRETE PEDESTRIAN CURB PER WSDOT STD PLAN F-10.12-03.
2. CEMENT CONCRETE SIDEWALK JOINTS SHALL BE 8' O.C. WHERE GRADE CHANGES OR ANGLE BREAKS OCCUR. CONTRACTOR FIELD FIT SIDEWALK JOINTS TO MINIMIZE CRACKING. SIDEWALK JOINTS SHOWN ON PLAN ARE APPROXIMATE.



PEDESTRIAN REFUGE ISLAND PLAN
SCALE: 1"=5'



LEGEND:

- MSE WALL
- CHAIN LINK FENCE
- PEDESTRIAN HANDRAIL 1
- PEDESTRIAN HANDRAIL 2
- DETECTABLE WARNING STRIP
- ASPHALT PAVEMENT (7) C2.6
- 4" THICK CEMENT CONCRETE (6) C2.6
- 6" THICK CEMENT CONCRETE (6) C2.6
- 6" THICK PIGMENTED CONCRETE (6) C2.6
- GRAVEL BORROW
- SIGN
- EXISTING WOODEN FENCE
- LIMIT OF PAVING WORK, SCHEDULE B SEE APPENDIX D FOR DETAILS. (IMPORTANT FOR CONTRACTORS TO GRASP SCOPE OF SCHEDULE B)
- PEDESTRIAN GUARD RAIL W/ GRAB RAIL
- PEDESTRIAN GUARD RAIL
- WORK LIMIT
- EXISTING GUARDRAIL
- NEW GUARDRAIL
- NEW WOOD FENCE
- TRENCH DRAIN

PT	DESCRIPTION	N	E
(A)	BEGIN CHAIN LINK FENCE	239251.56	1331162.76
(B)	END CHAIN LINK FENCE	239404.31	1331029.73
(C)	BEGIN CHAIN LINK FENCE	239412.07	1331030.39
(D)	END CHAIN LINK FENCE	239233.74	1331139.71
(E)	BEGIN CHAIN LINK FENCE	239152.54	1331215.12
(F)	END CHAIN LINK FENCE	239203.43	1331139.21
(G)	BEGIN CHAIN LINK FENCE	239246.88	1331168.12
(H)	END CHAIN LINK FENCE	239107.64	1331278.39
(I)	BEGIN GUARDRAIL	239412.52	1331042.38
(J)	END GUARDRAIL	239403.22	1331064.09
(K)	BEGIN WOOD FENCE	239140.10	1331201.17
(L)	END WOOD FENCE	239133.64	1331193.02

[DATE: 4/19/2017 2:32 PM] [AUTHOR: cwilcox] [PLOTTER: DWG TO PDF.pc3] [STYLE: WHP-Standard.ctb] [LAYOUT: C2.0] [PATH: C:\working\west01\dms81340\07_07007W-09-SP01.dwg]

NO.	BY	DATE	REMARKS

SHEET INFO	DESIGNED	SB	DRAWN	CW	CHECKED	SJ	APPROVED	SJ	LAST EDIT	4/18/2017	PLOT DATE	4/19/2017	SUBMITTAL

SAMMAMISH LANDING ADA ACCESS IMPROVEMENTS PROJECT
 CITY OF SAMMAMISH
 PROJECT NUMBER 10045483
 DRAWING FILE NAME 07_07007W-09-SP01
 SCALE AS SHOWN
 SHEET NUMBER C2.0
 7 of 36